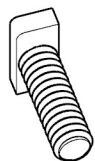


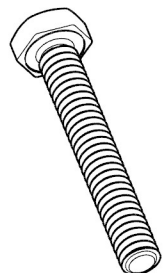
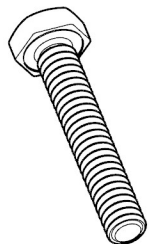
1e A2-70  
M10×30



1b DIN933  
M10×60



1a DIN933  
M10×25



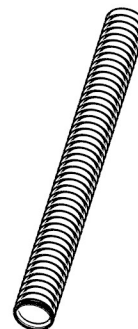
1c DIN933  
M10×70



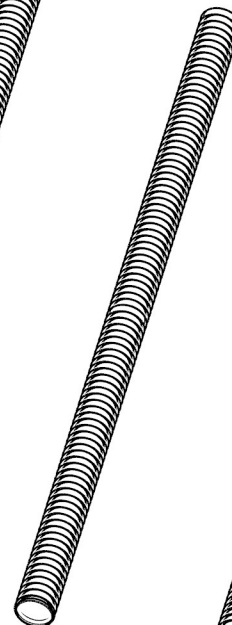
1d DIN933  
M10×120

1

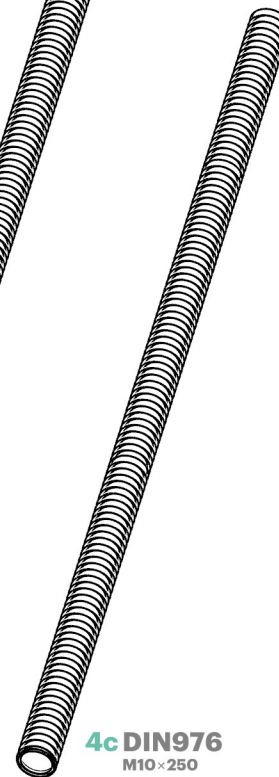
4a DIN976  
M10×100



4b DIN976  
M10×200



4c DIN976  
M10×250



4

2a DIN936  
M10



2c DIN985  
M10



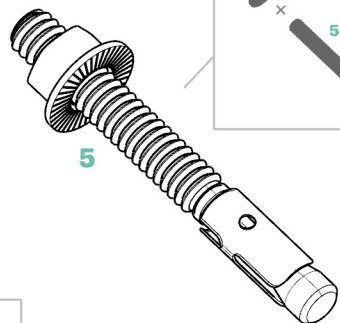
2b M10

3 DIN6325  
M10×30



3

2

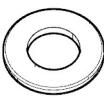


5



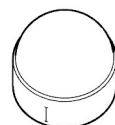
2f DIN6923  
M10

5a M10×90



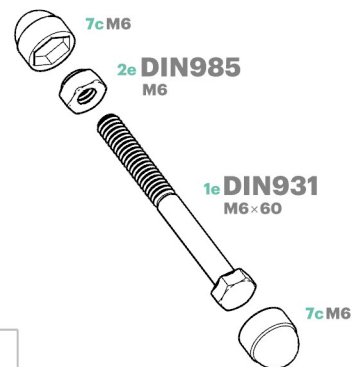
6 DIN125  
M10

6



7a M10

7

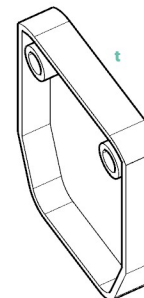


7c M6

2e DIN985  
M6

1e DIN931  
M6×60

7c M6

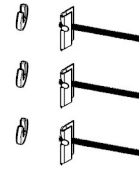


8

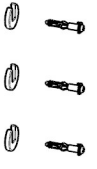
T1.1 2x5



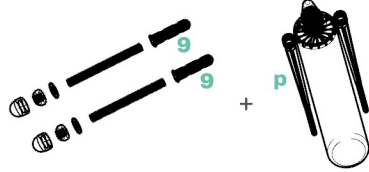
T1.2a 3xg1



T1.2b 3xg2



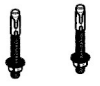
T1.3 0.25x p 2x2c  
2x9 2x6  
2x4a 2x7



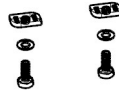
T1.4 2x5a  
2x2c  
2x6  
2x7



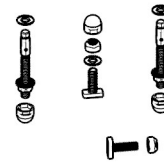
T2.1 2x5



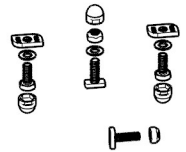
T2.2 2x1a  
2x2b  
2x6



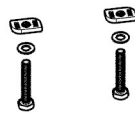
T2.3 2x5  
2x1e 3x6  
2x2c 3x7



T2.4 2x1a 2x2c  
2x1e 3x6  
2x2b 3x7



T2.5 2x1b  
2x2b  
2x6



T3.1 1x4a  
3x2a  
1x2c  
4x6



T3.2 1x4b  
3x2a  
1x2c  
4x6



T3.3 1x4c  
3x2a  
1x2c  
4x6



T3.4 1x1d  
3x2a  
1x2c  
4x6



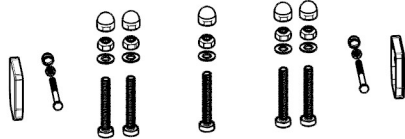
T4.1 2x1e  
2x2c  
2x6  
3x7



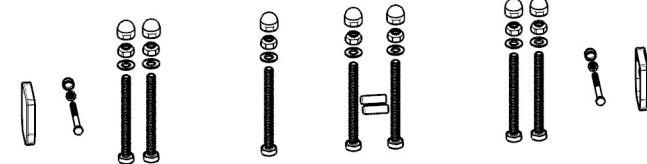
T4.2 2x1e  
2x2c  
2x6  
2x7



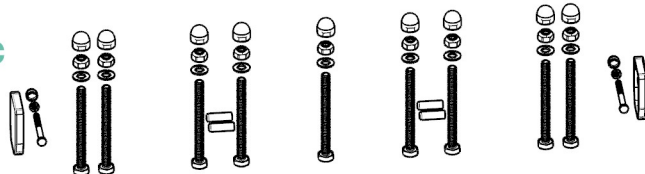
T5.1 2x8  
5x1c 5x6  
5x2c 5x7



T5.2 2x3 7x2c  
2x8 7x6  
7x1c 7x7



T5.3 2x3 9x2c  
2x8 9x6  
9x1c 9x7

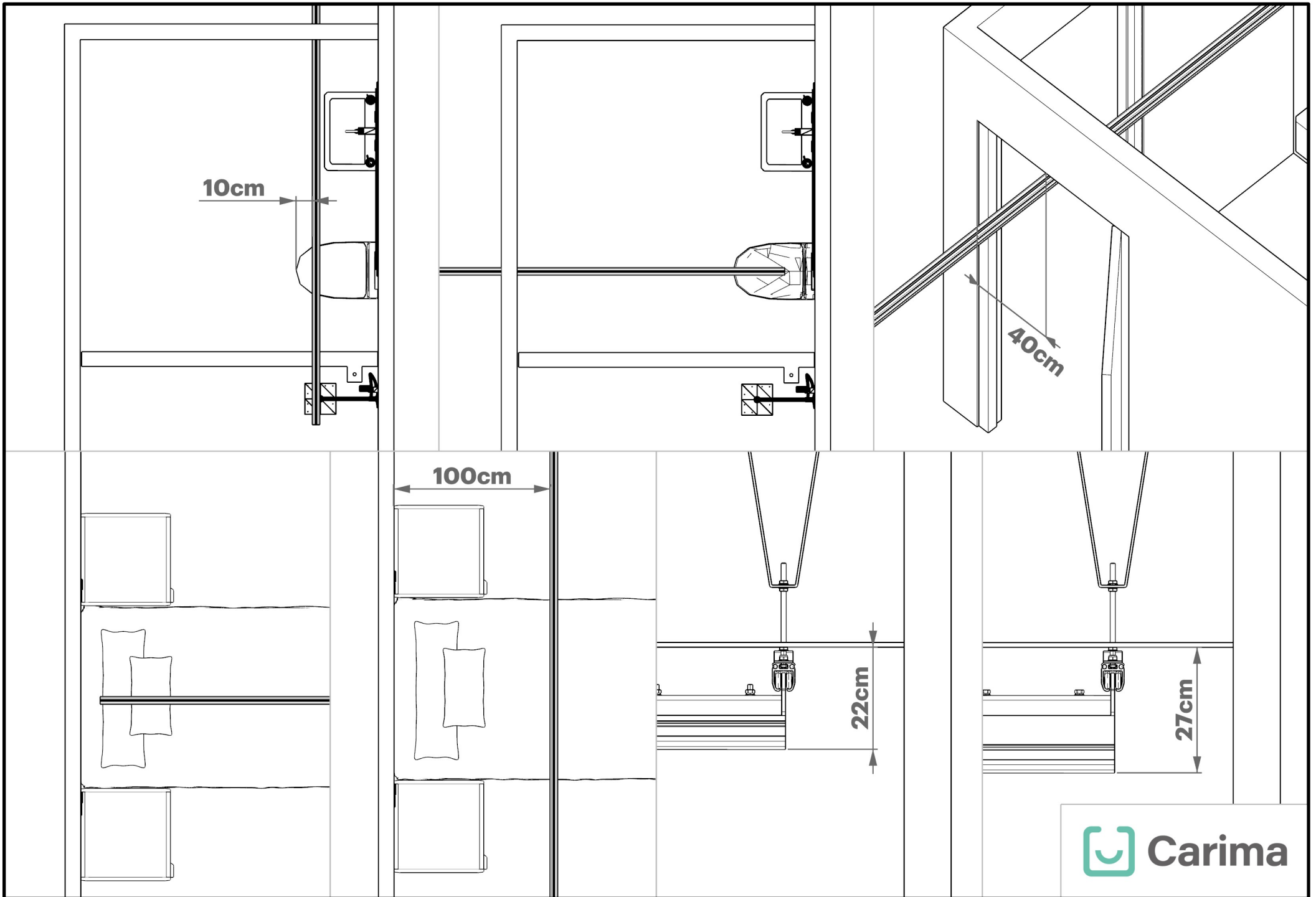


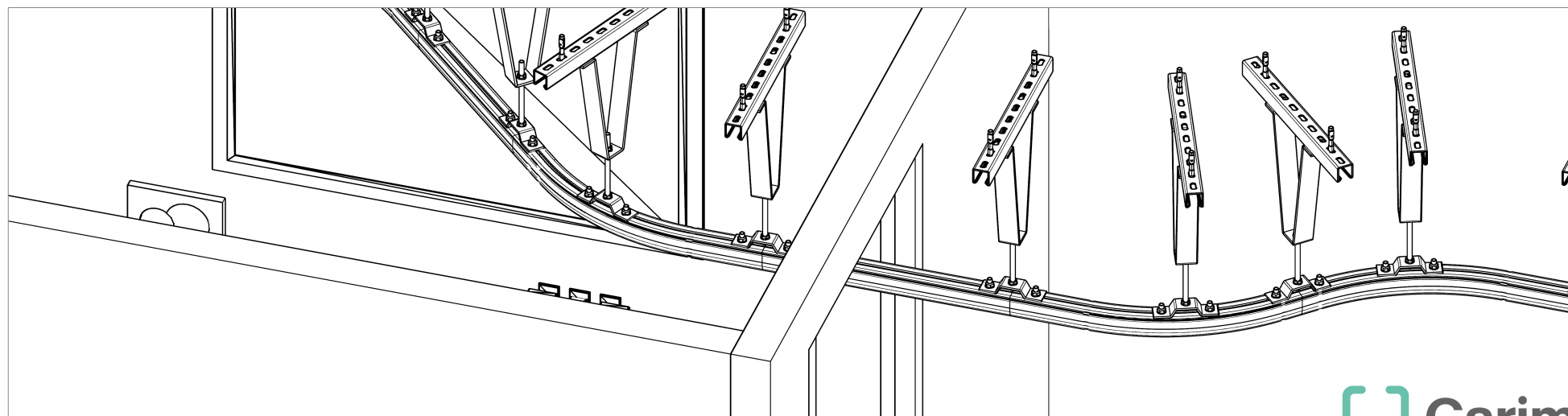
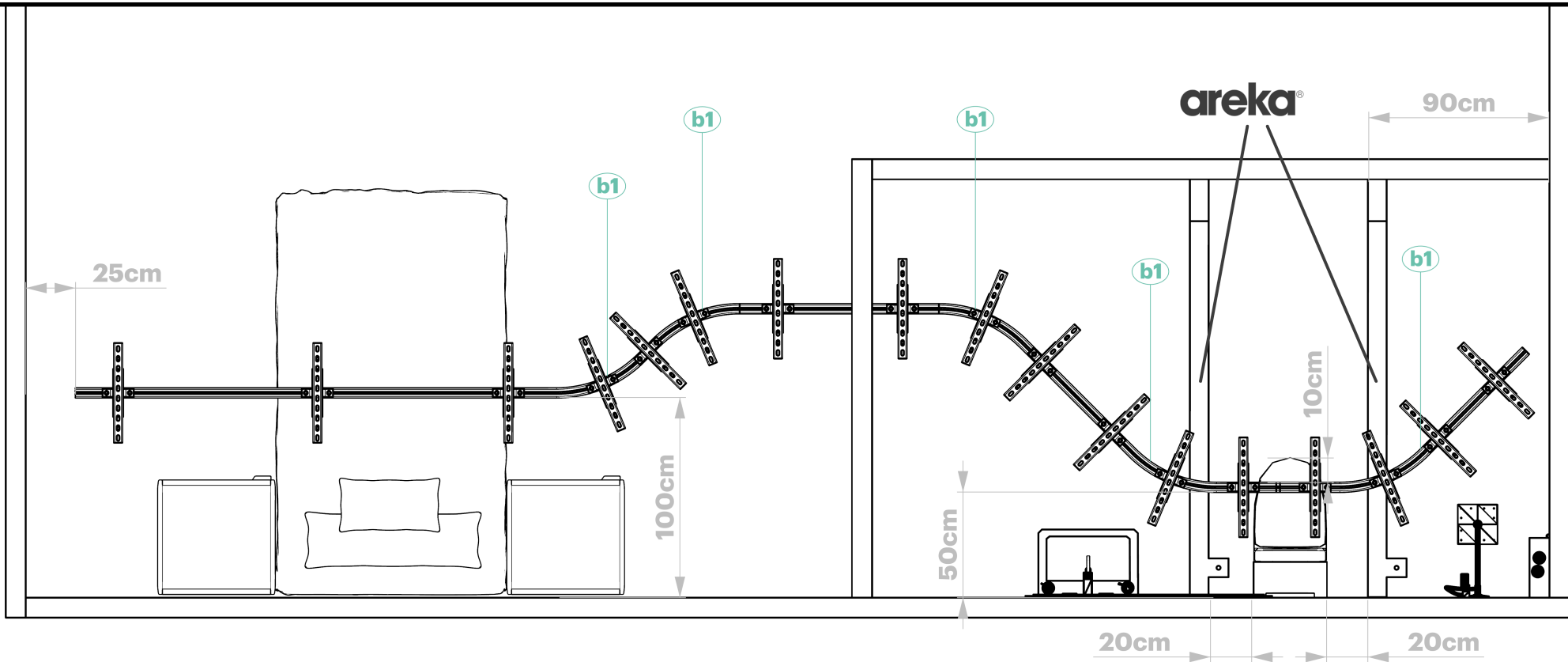
T6.1 1x8

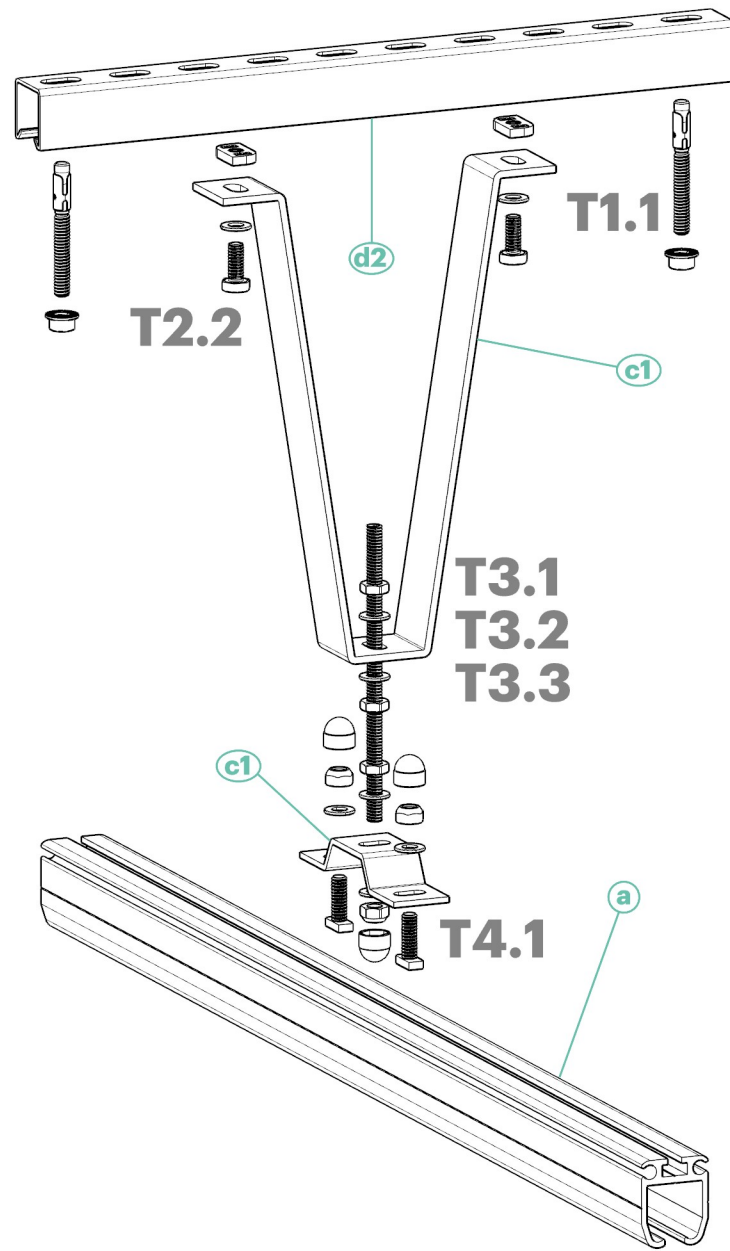
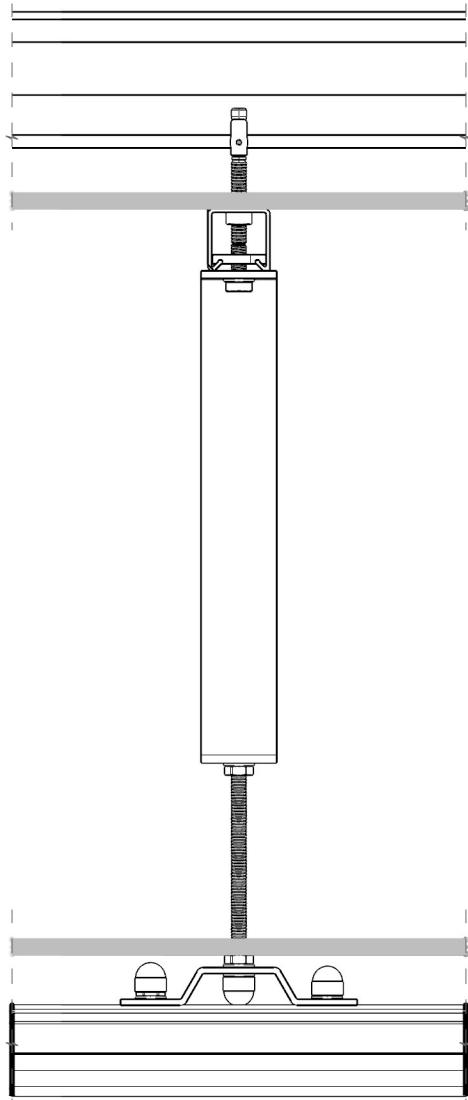
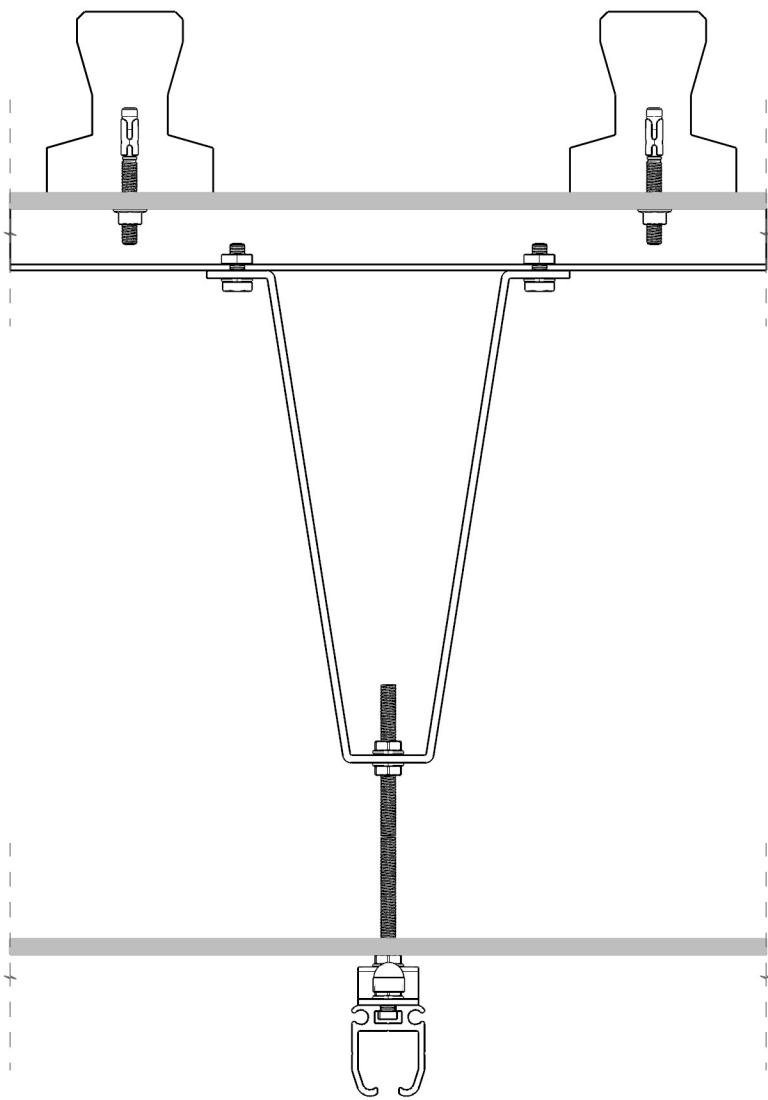


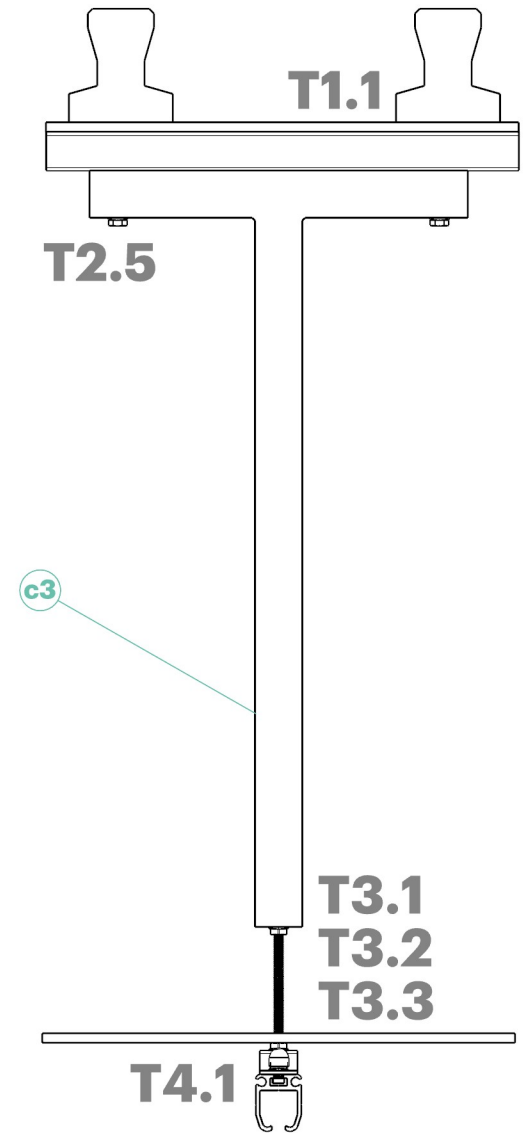
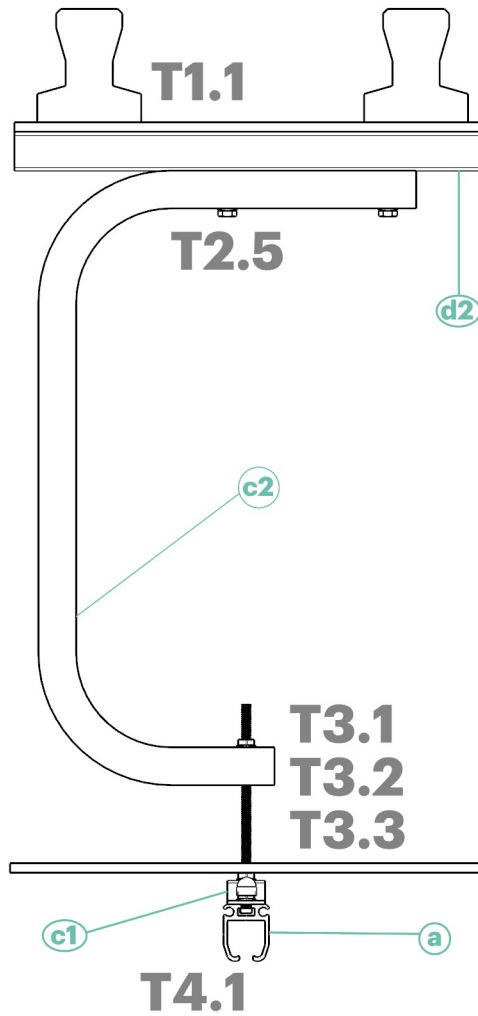
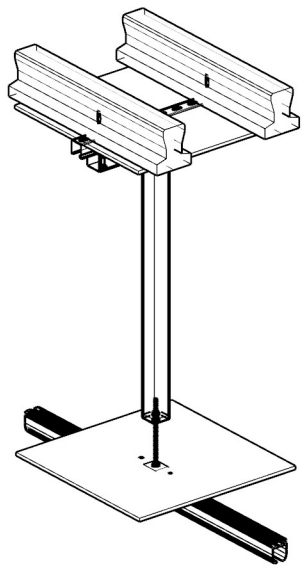
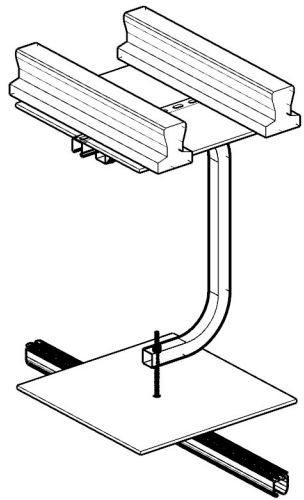
T6.2 1xs  
1x2d  
1x6  
1x7b

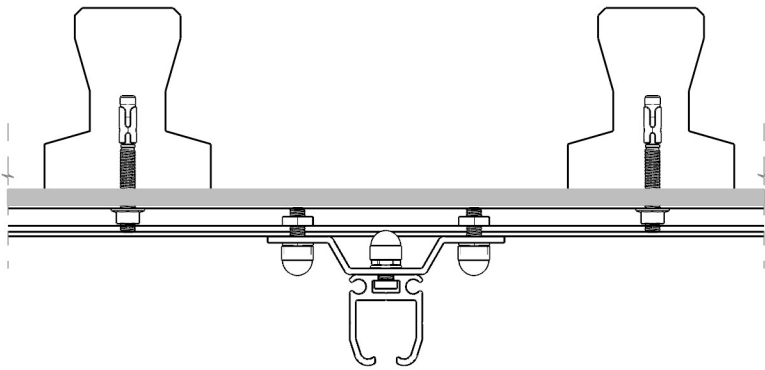






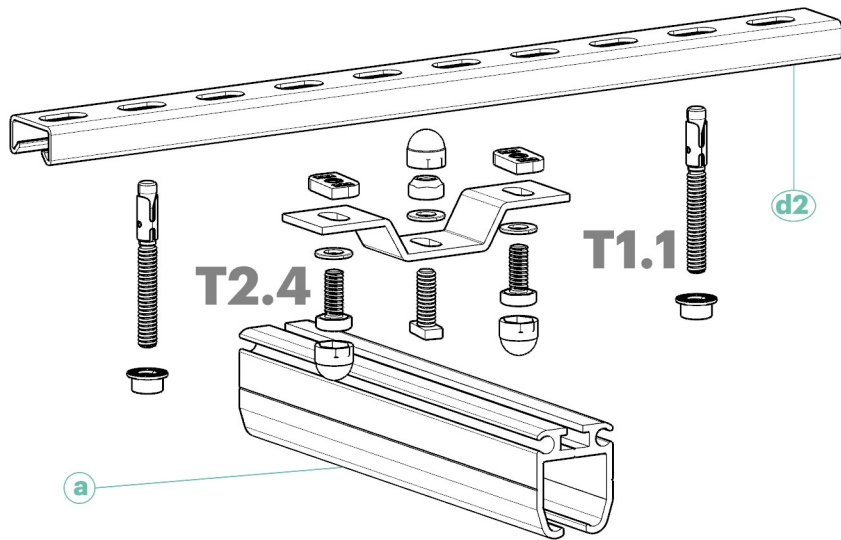




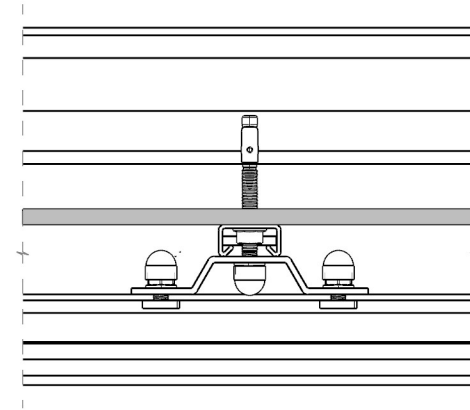


**T2.4**

- 2x1a
- 2x1e
- 2x2b
- 2x2c
- 3x6
- 3x7

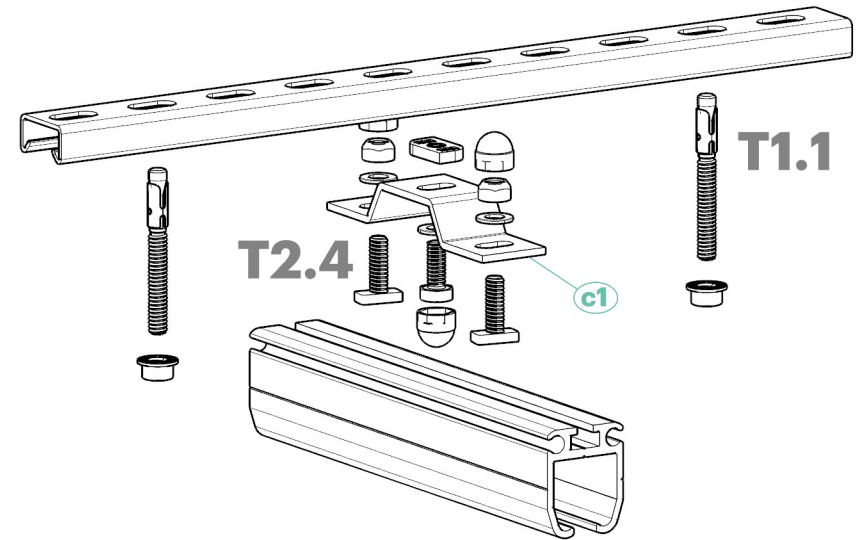


1.3A

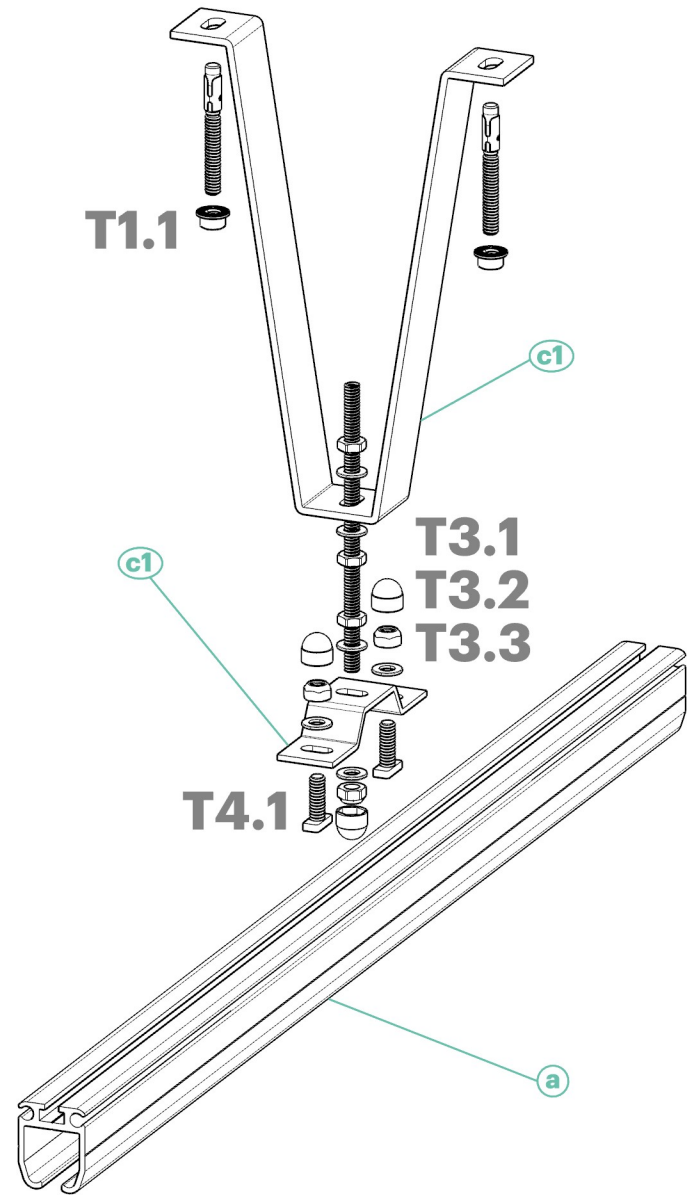
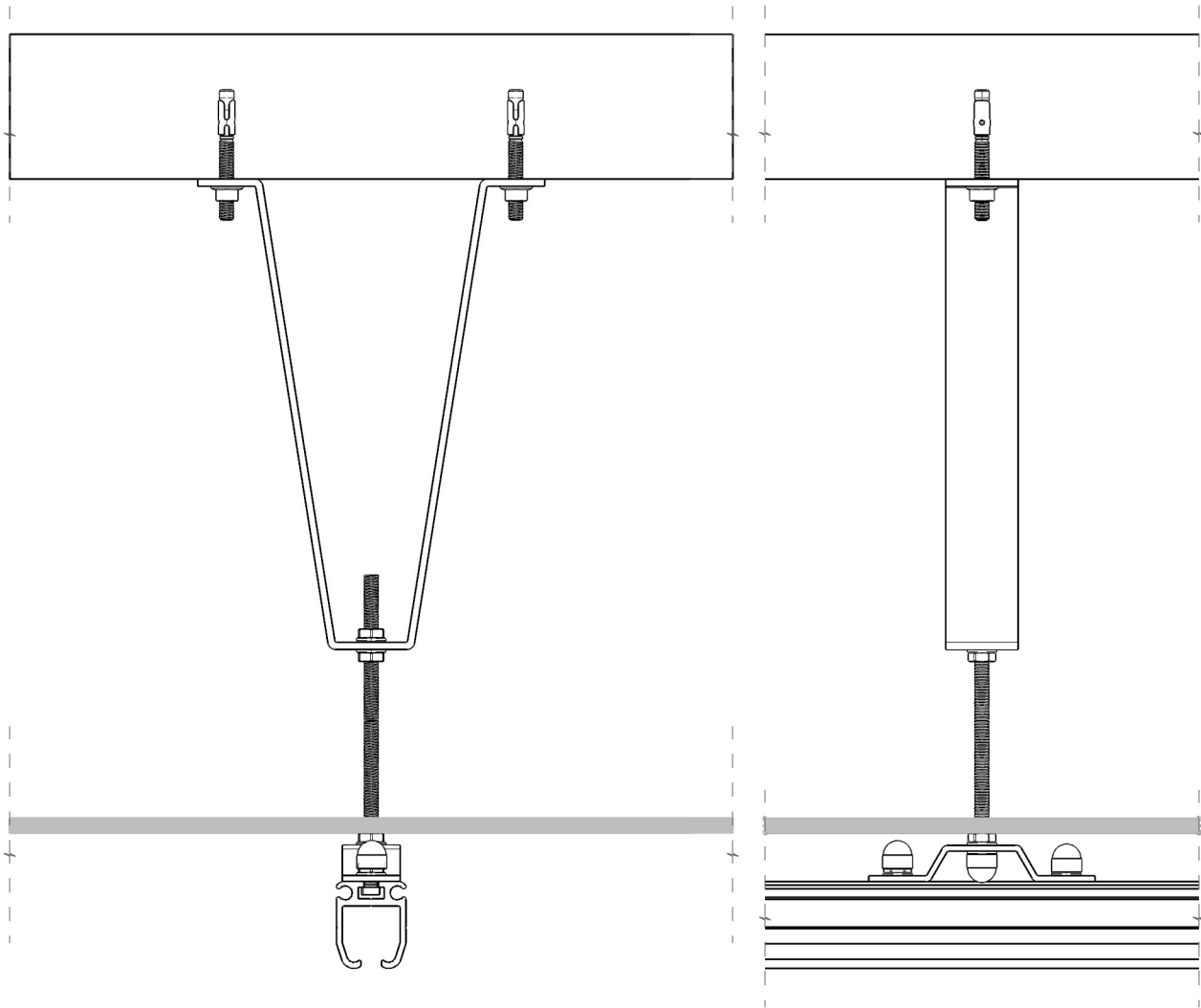


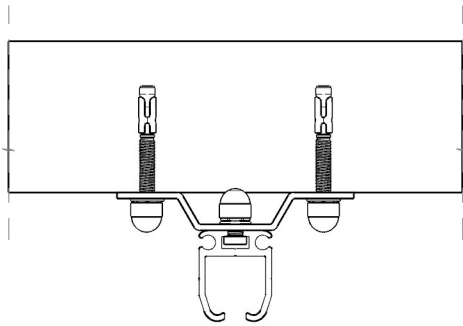
**T2.4**

- 2x1a
- 2x1e
- 2x2b
- 2x2c
- 3x6
- 3x7



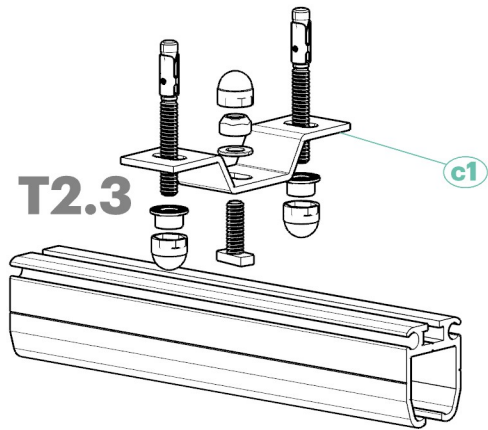
1.3B



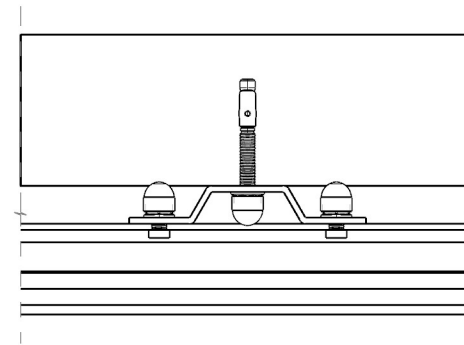


**T2.3**

- 2-5
- 2-1a
- 2-2c
- 3-6
- 3-7

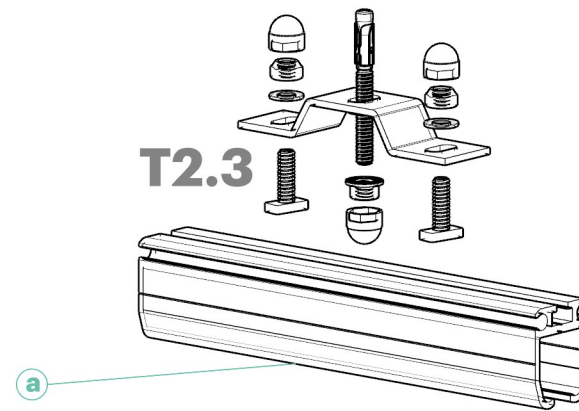


1.5A

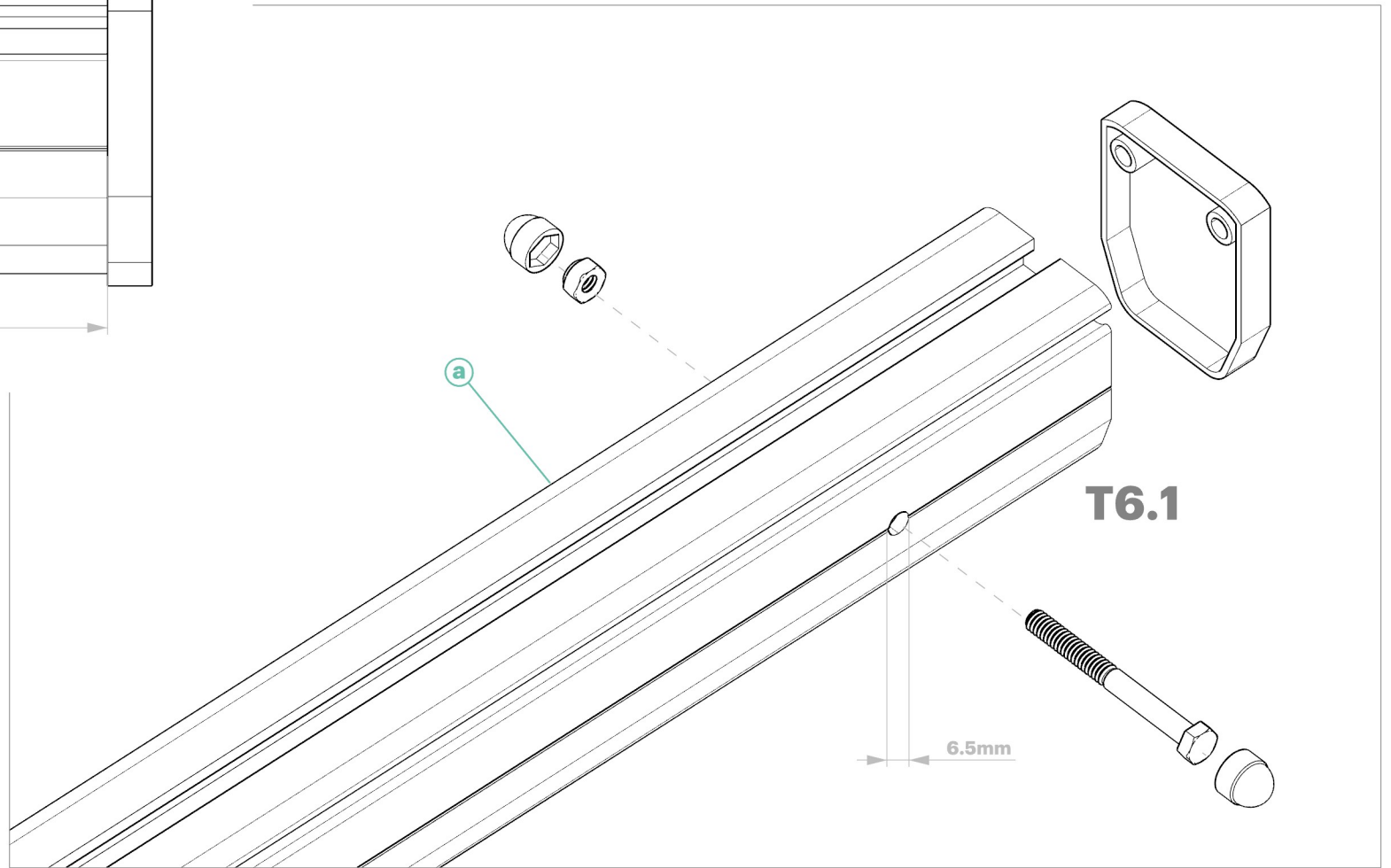
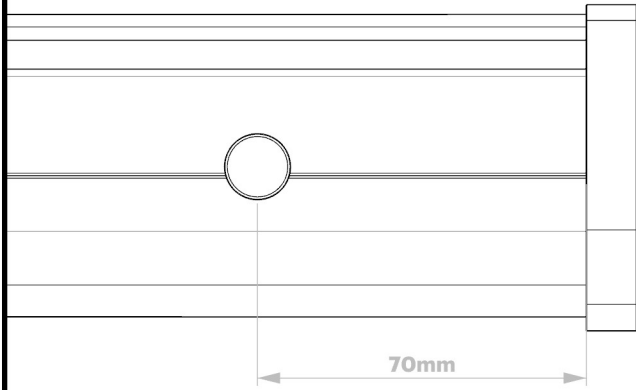


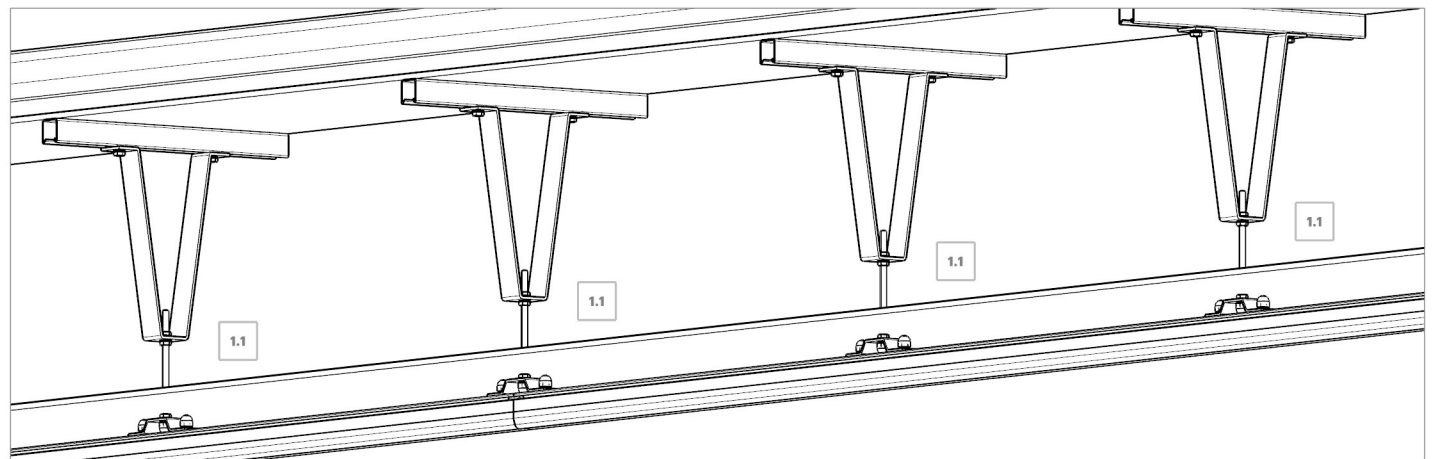
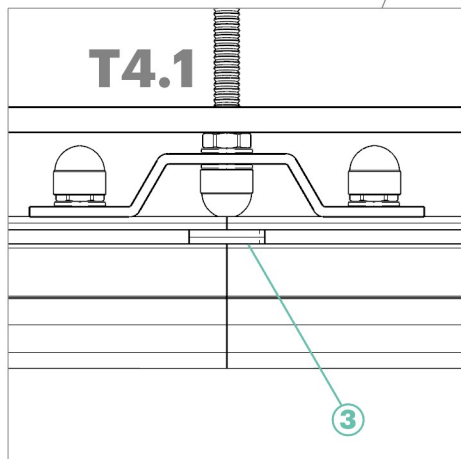
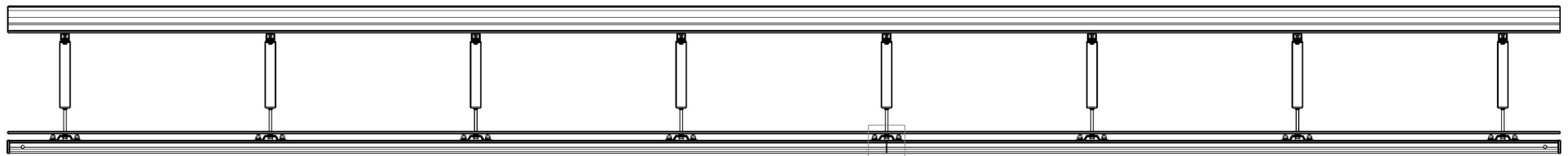
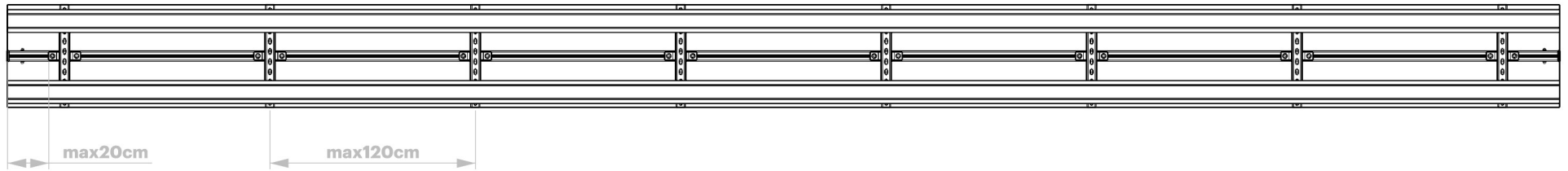
**T2.3**

- 2-5
- 2-1a
- 2-2c
- 3-6
- 3-7



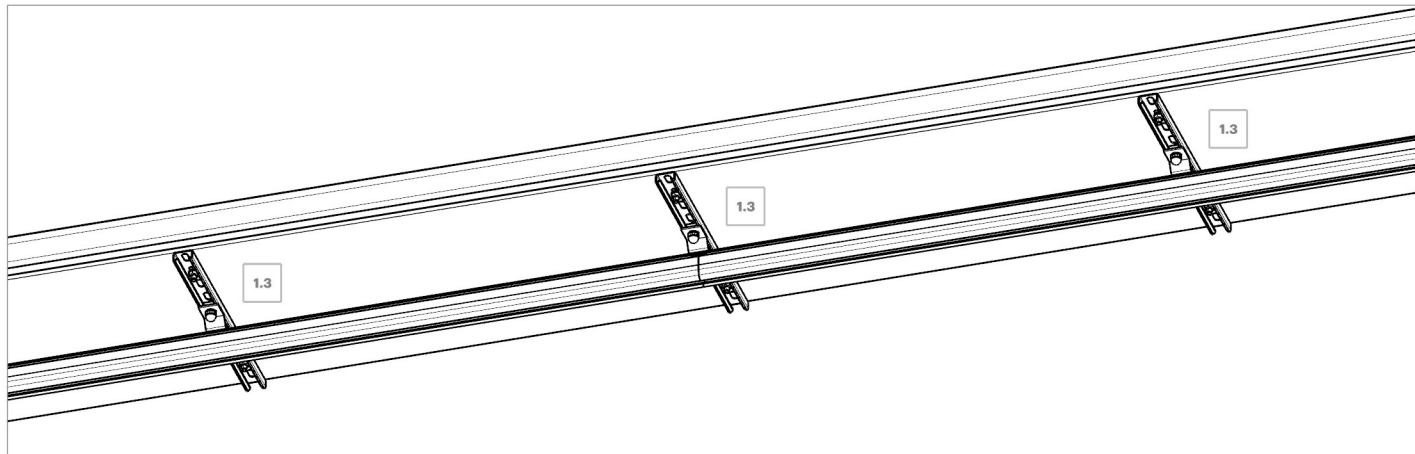
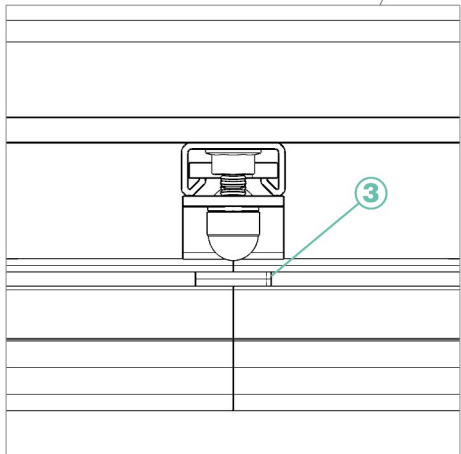
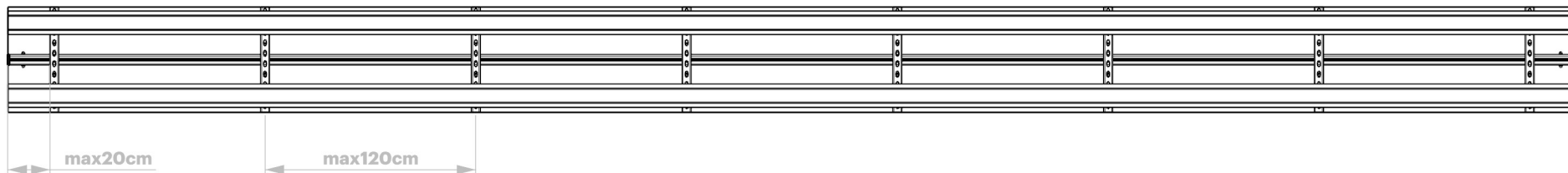
1.5B





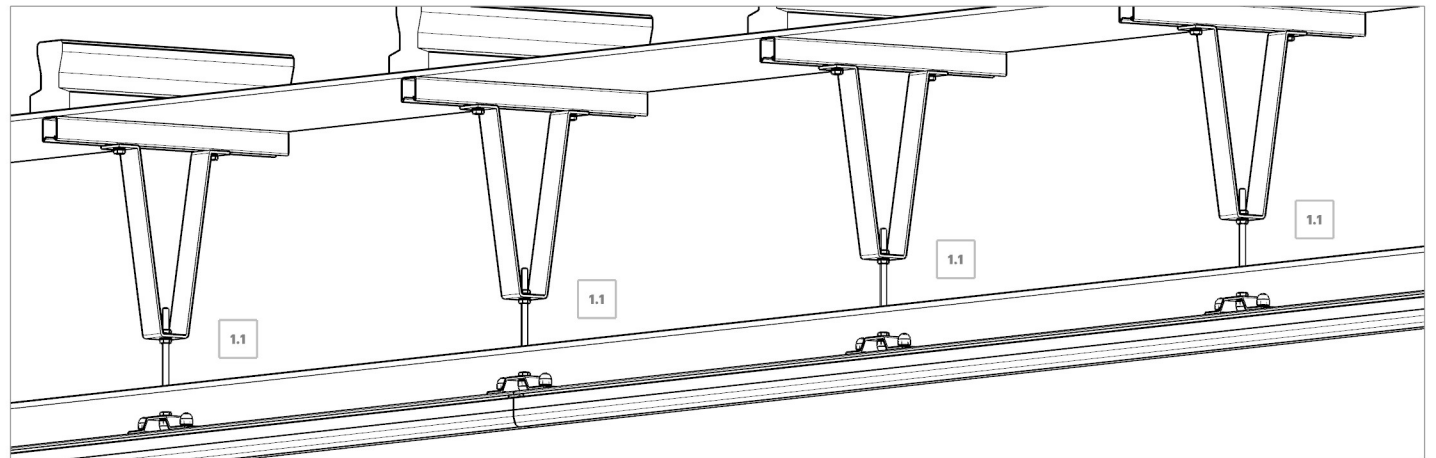
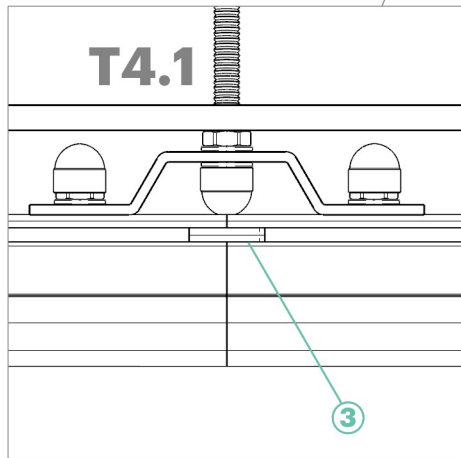
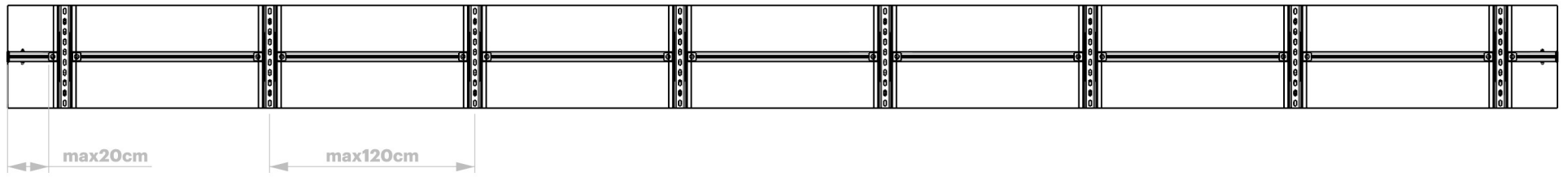
**+T6.1**

**2.1**



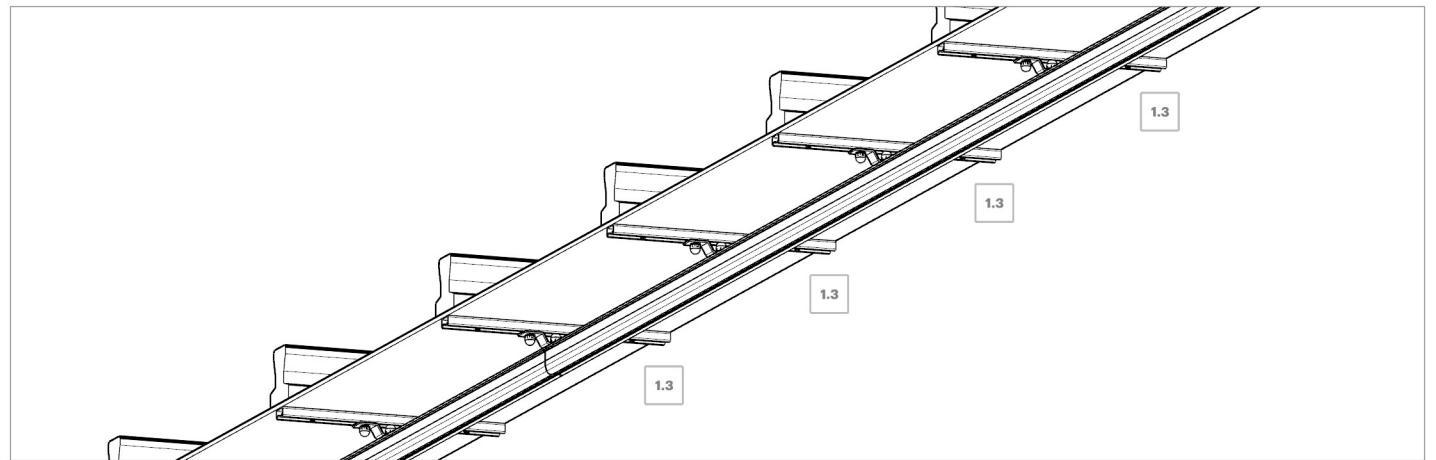
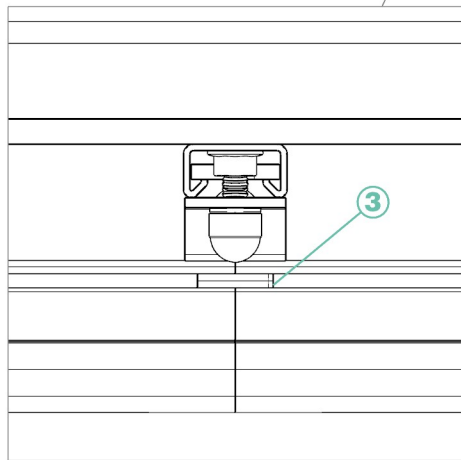
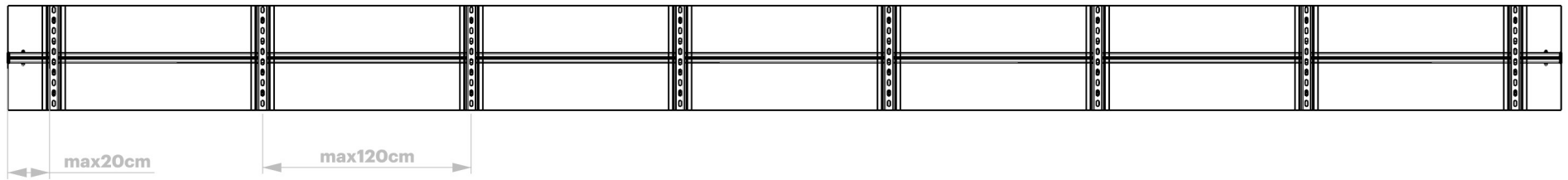
+T6.1

2.2



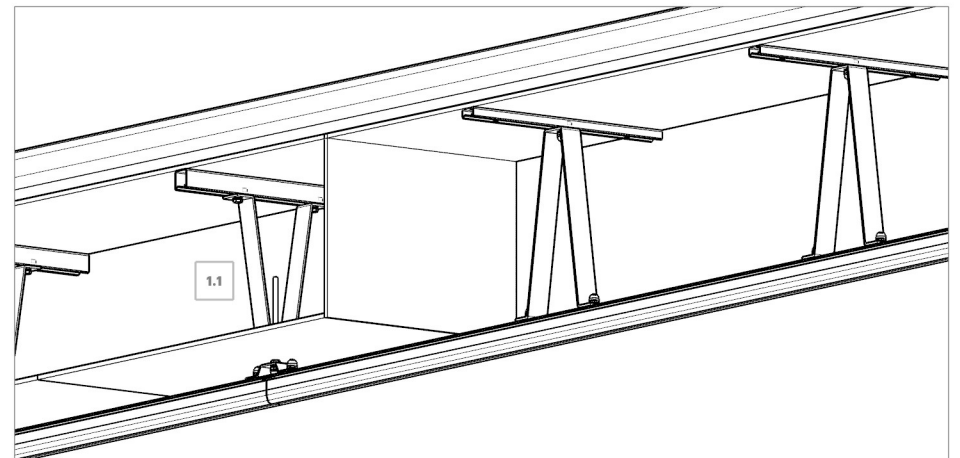
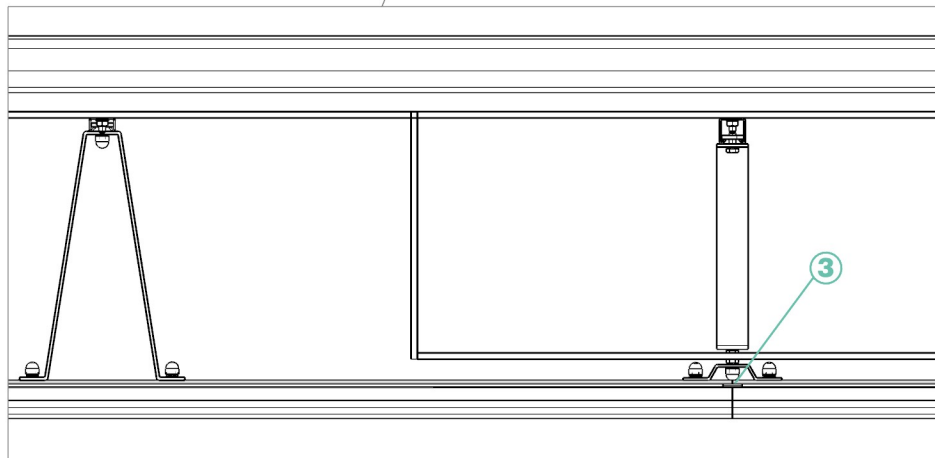
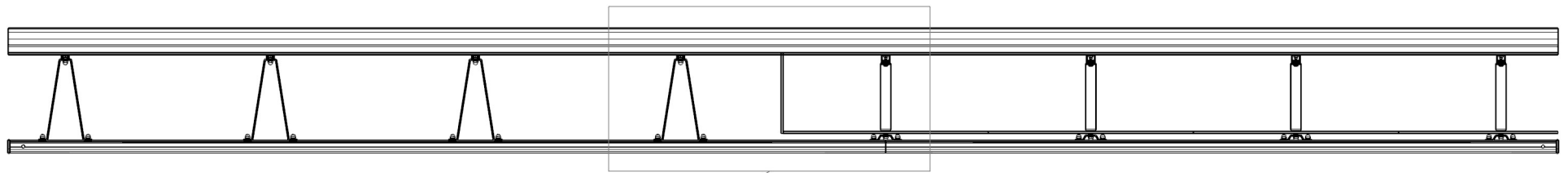
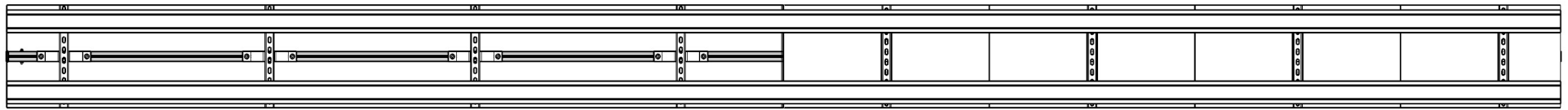
**+T6.1**

**2.3**



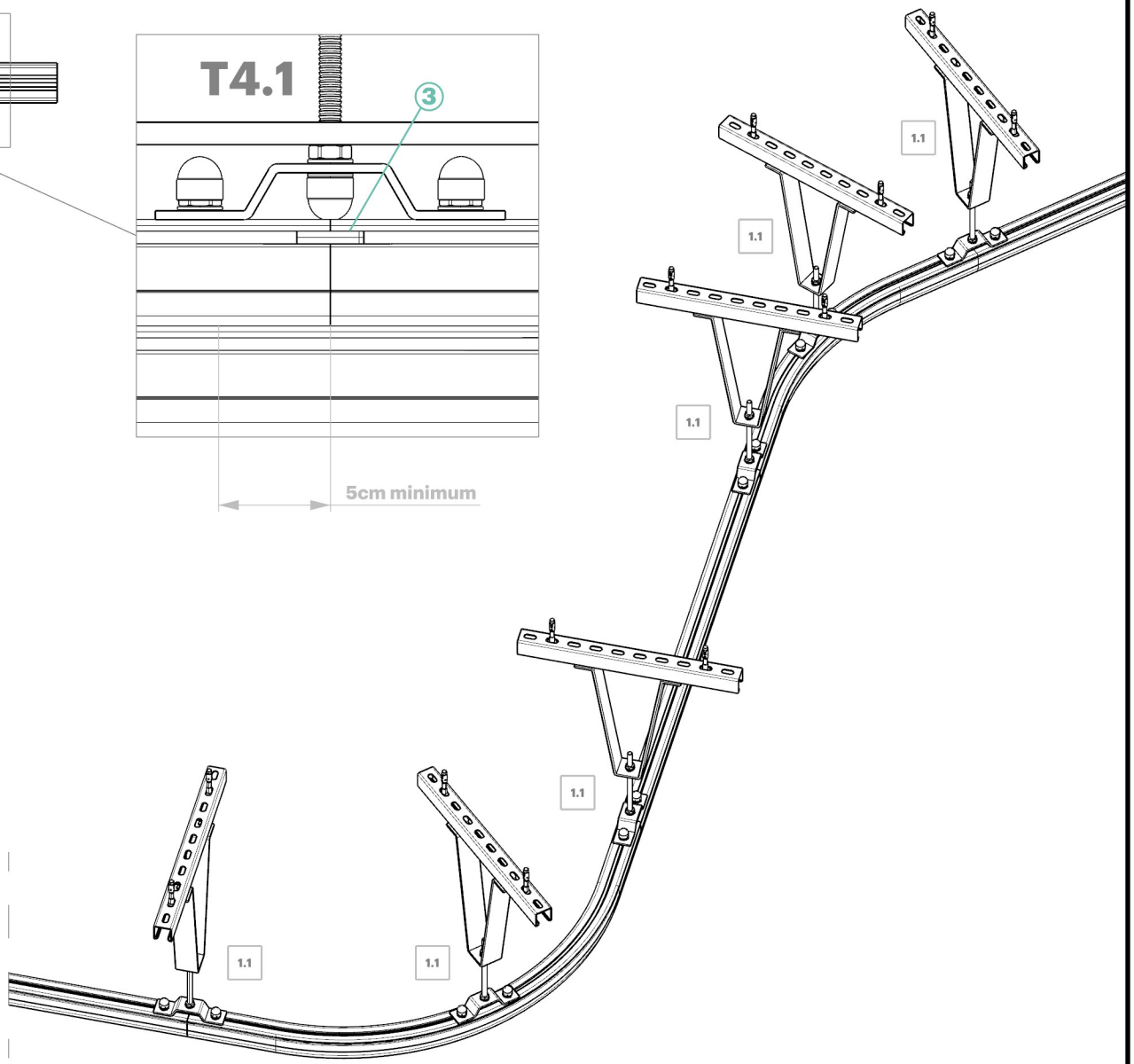
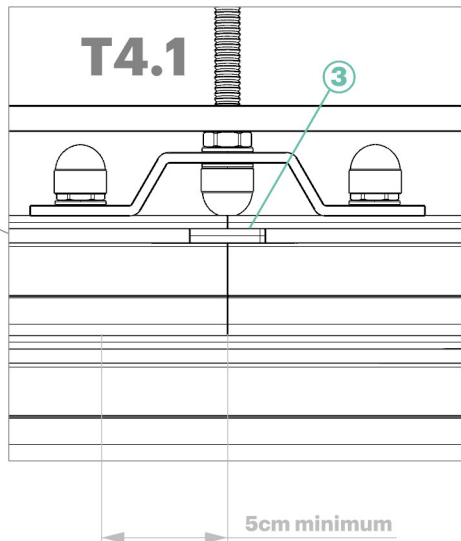
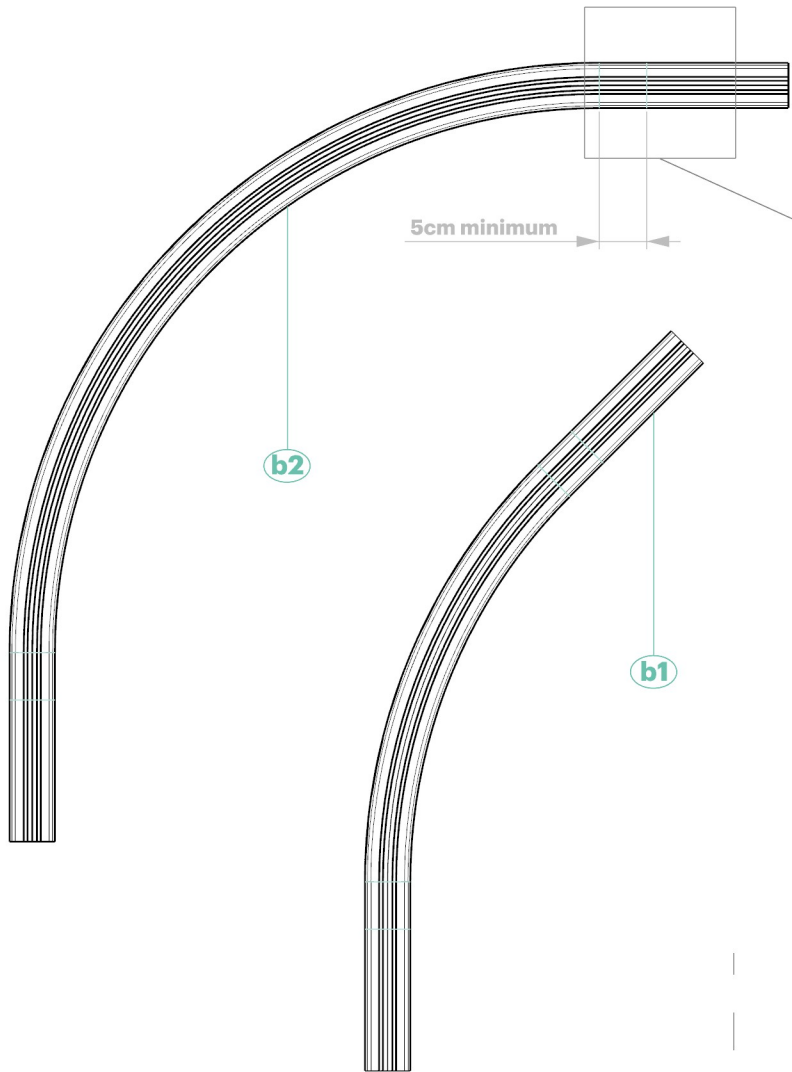
+T6.1

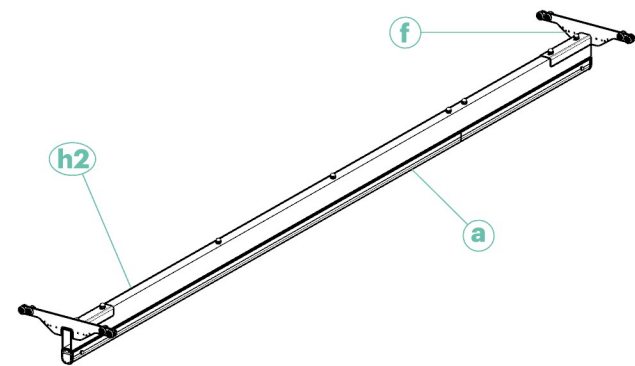
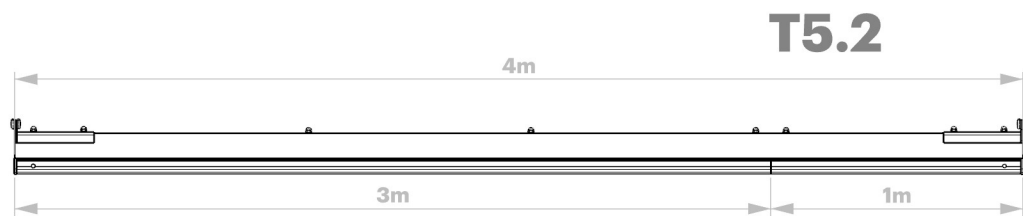
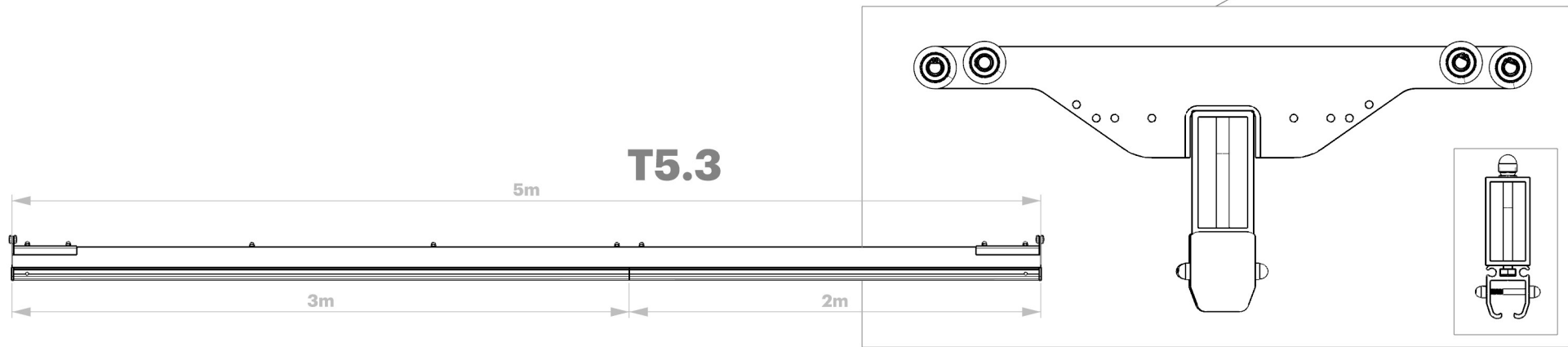
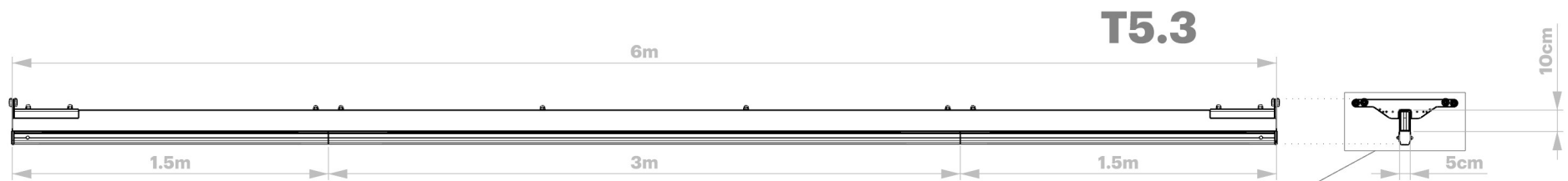
2.4



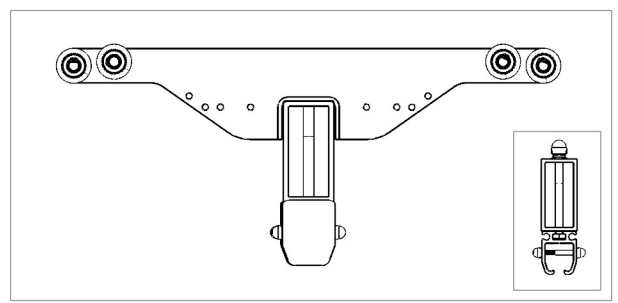
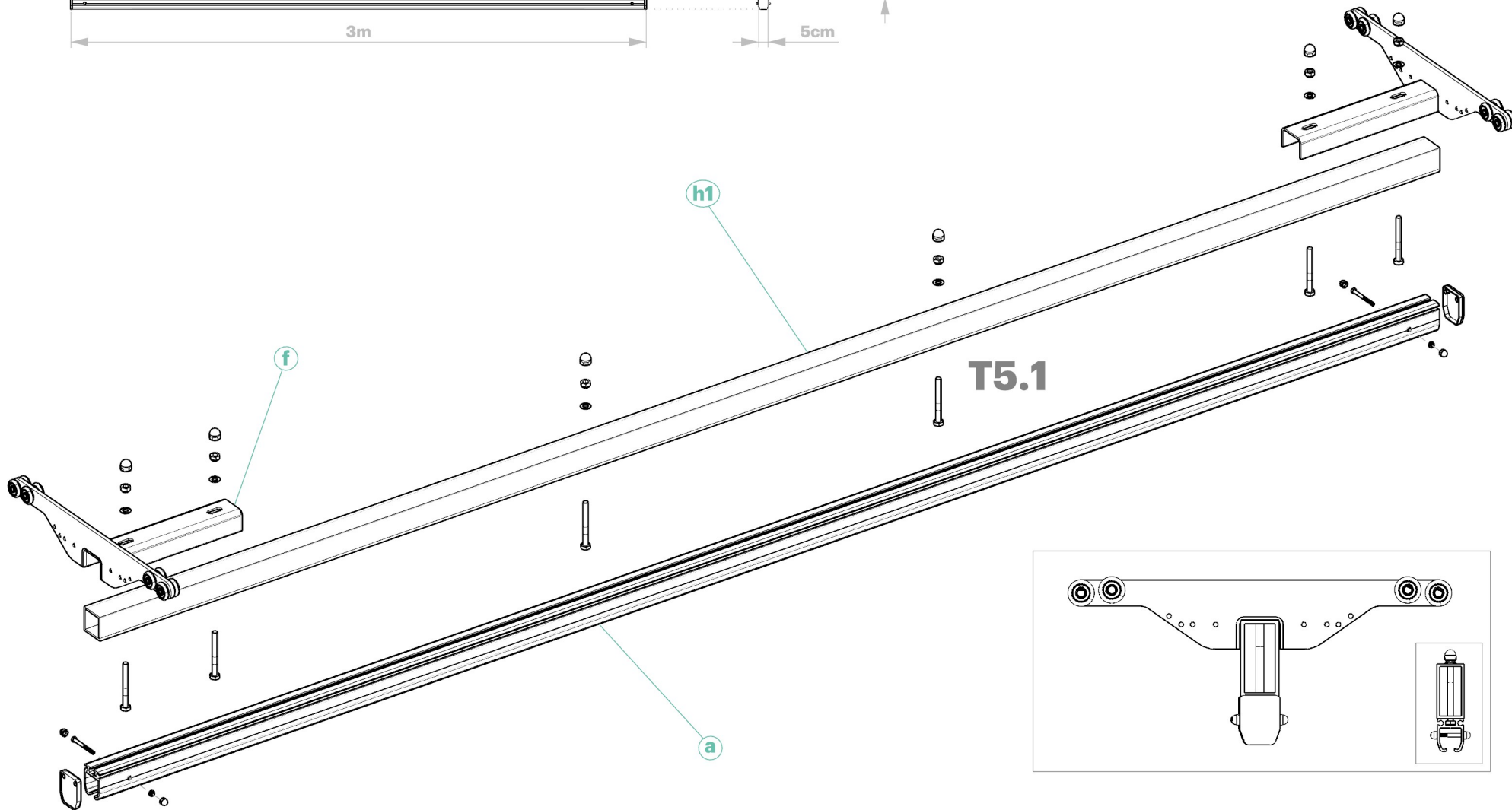
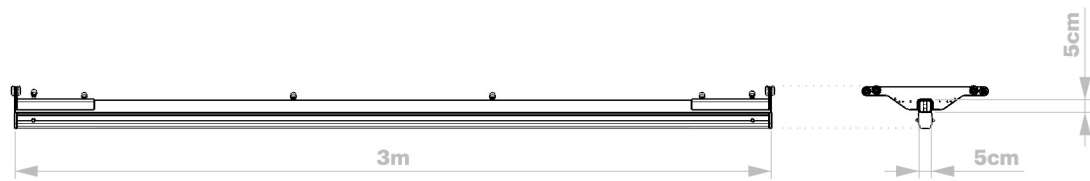
+T6.1

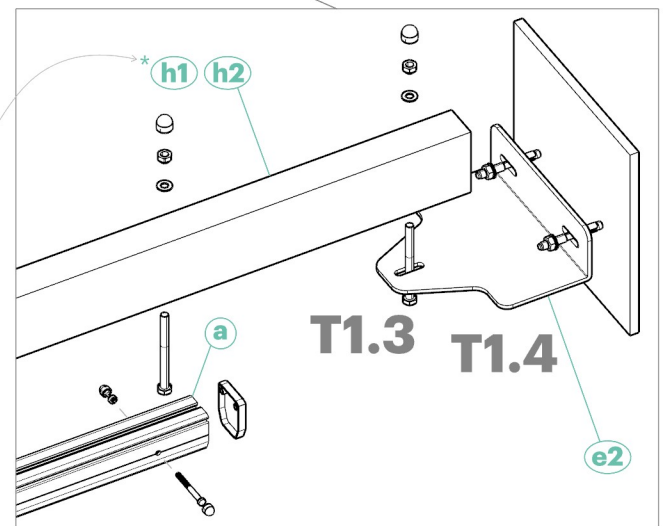
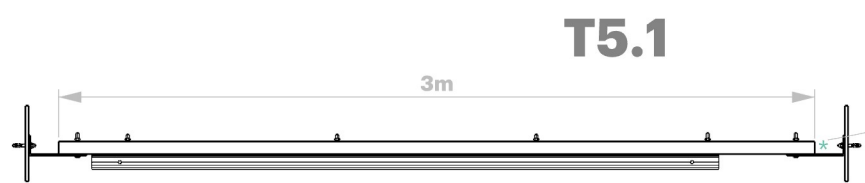
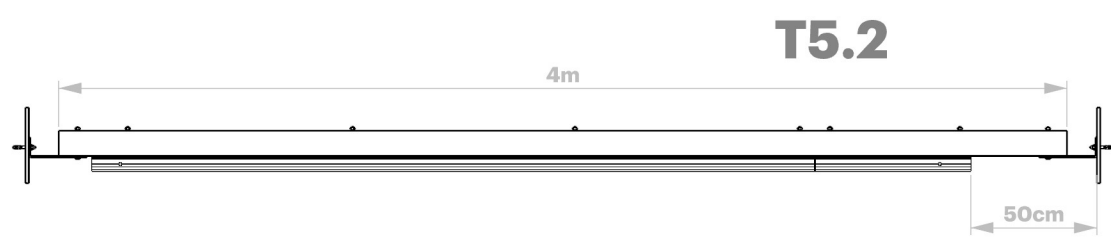
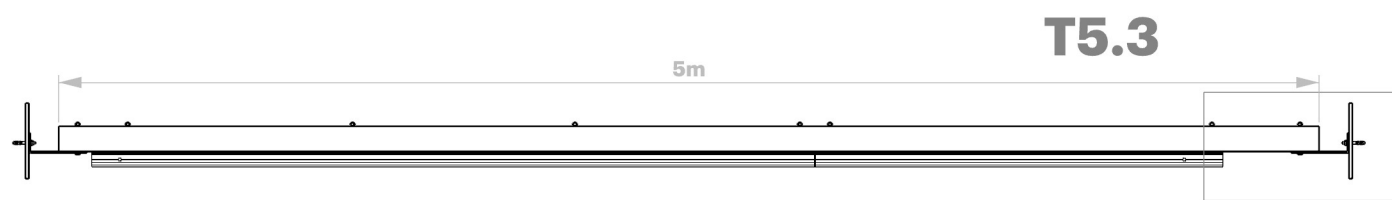
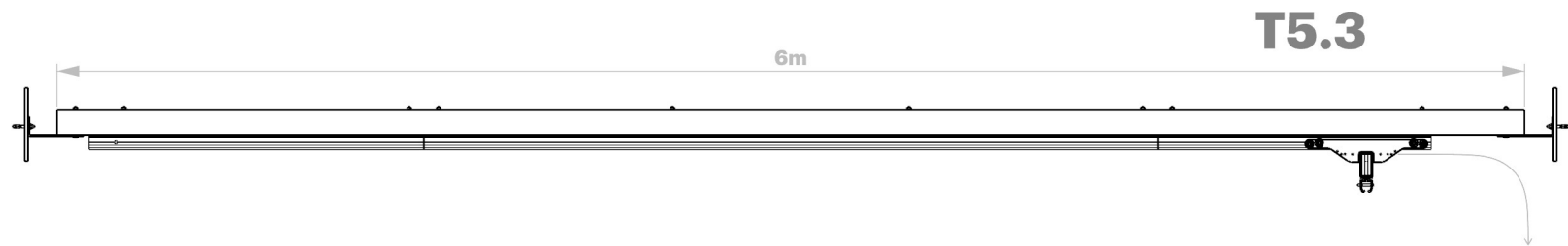
2.5

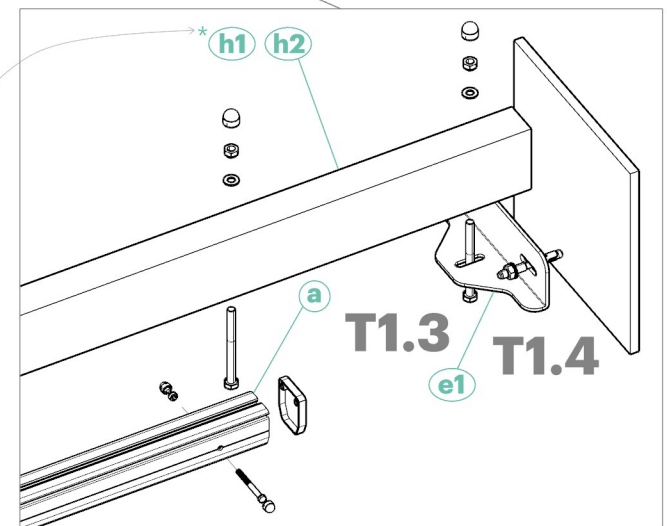
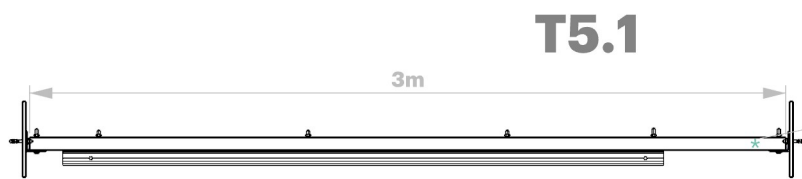
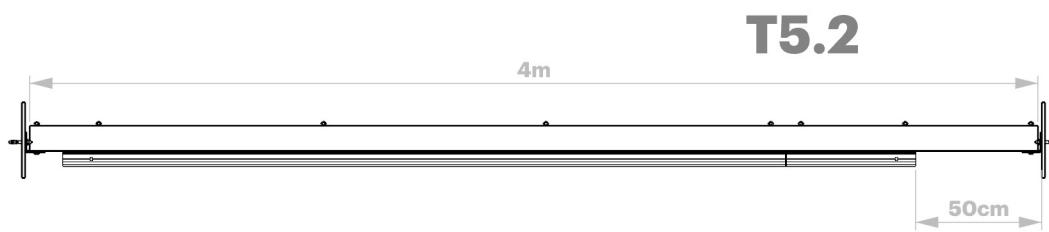
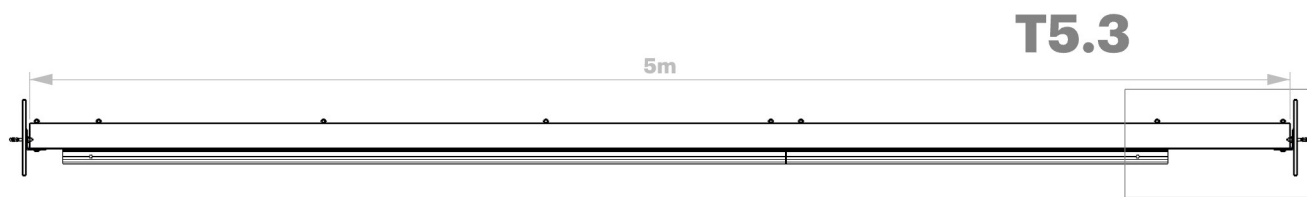
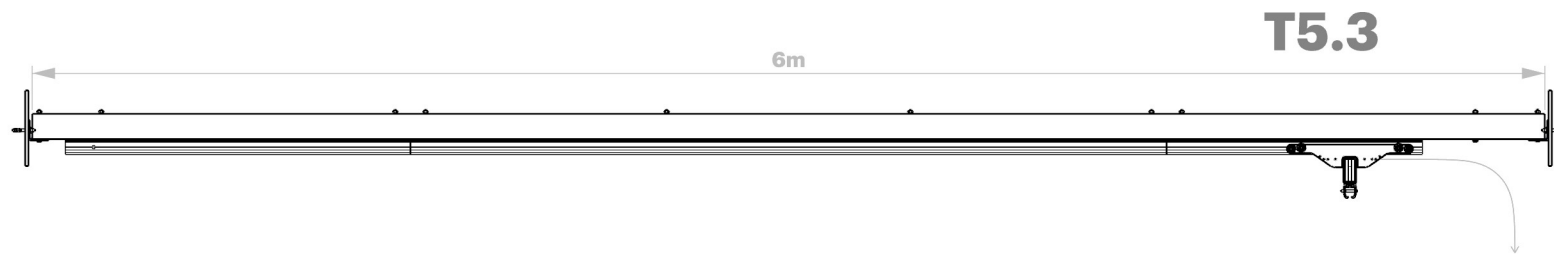


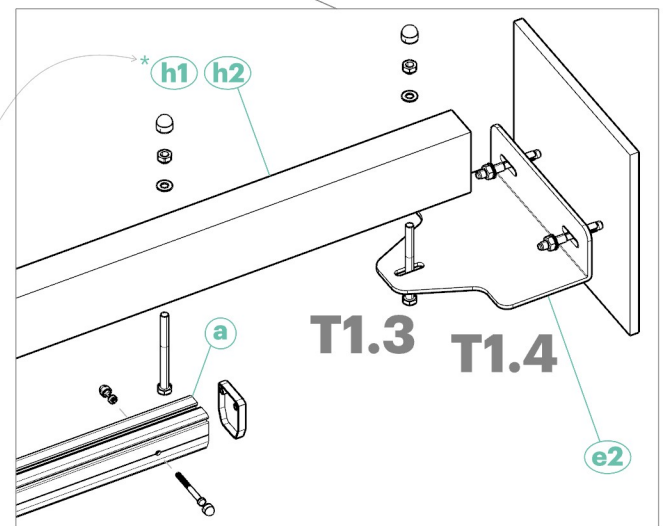
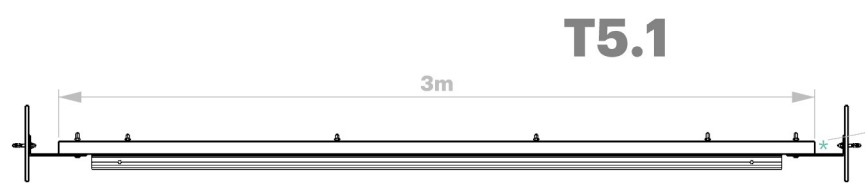
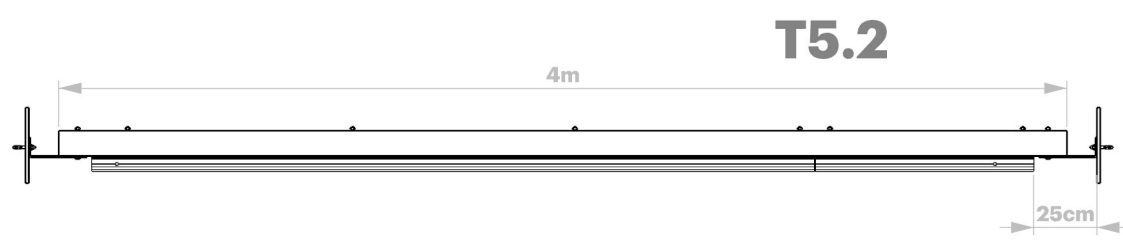
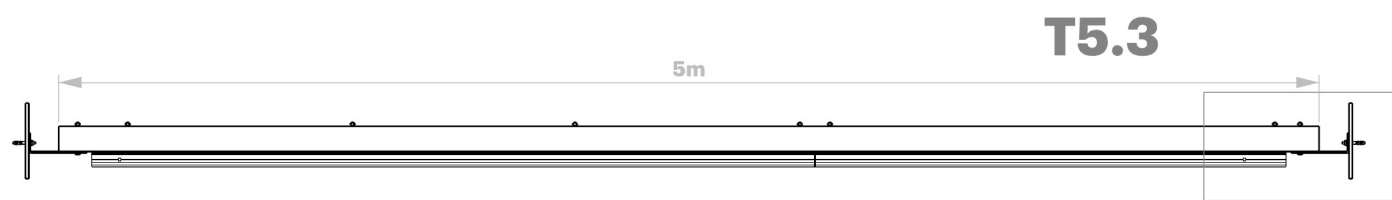
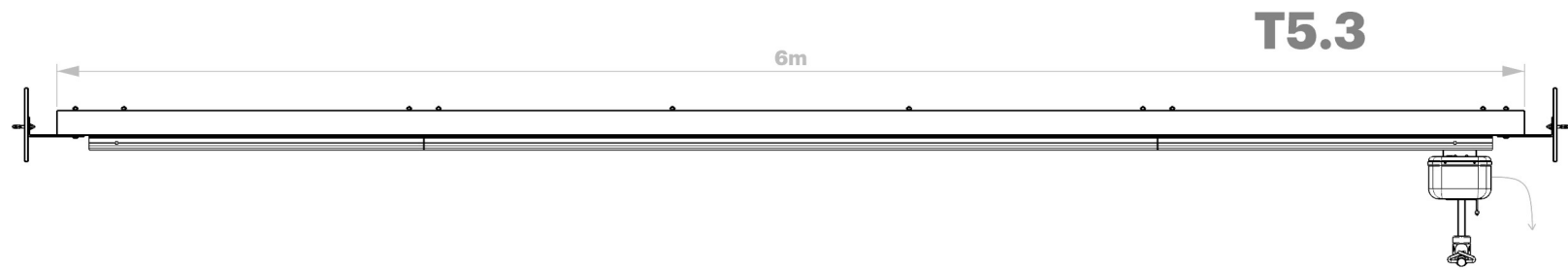


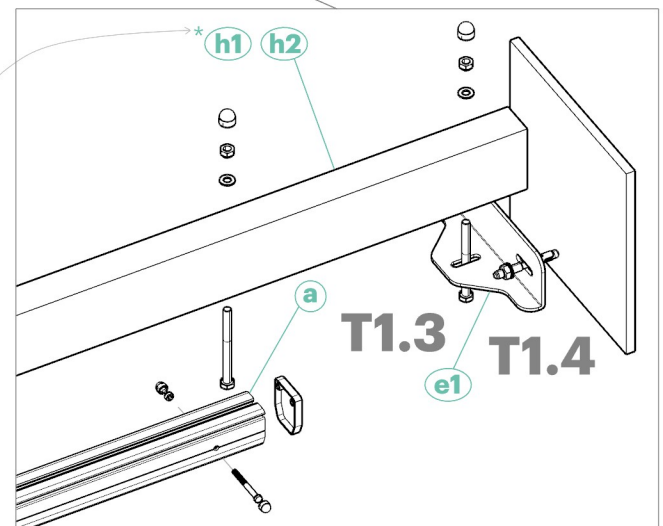
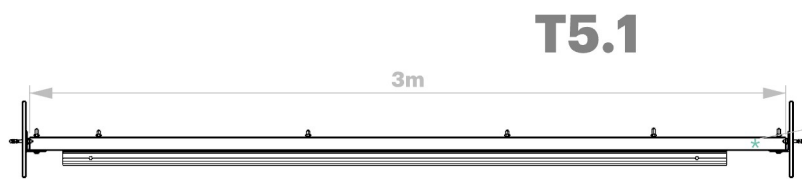
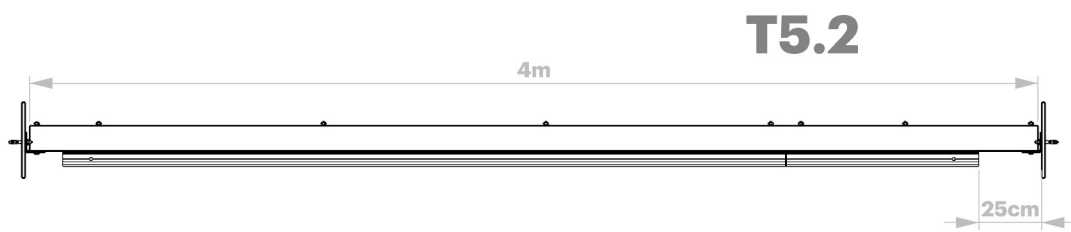
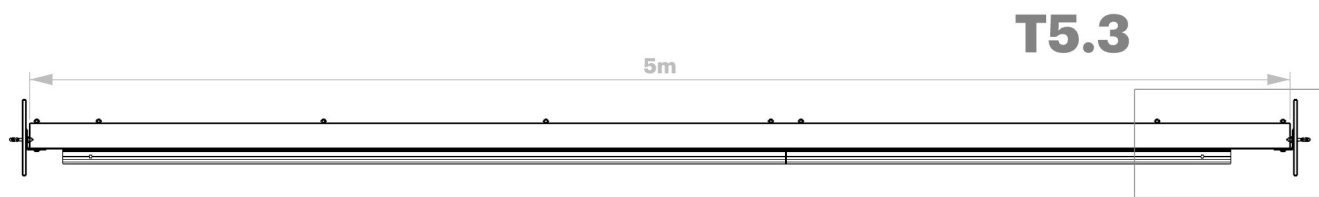
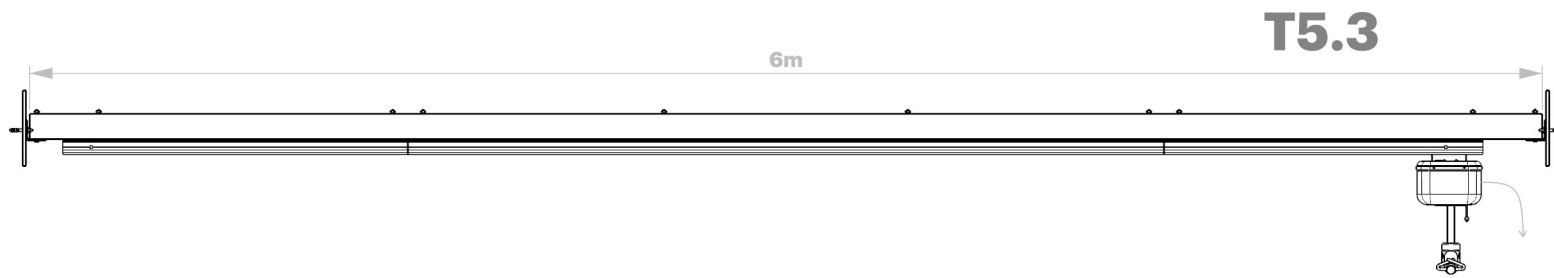
+T6.1 + ③

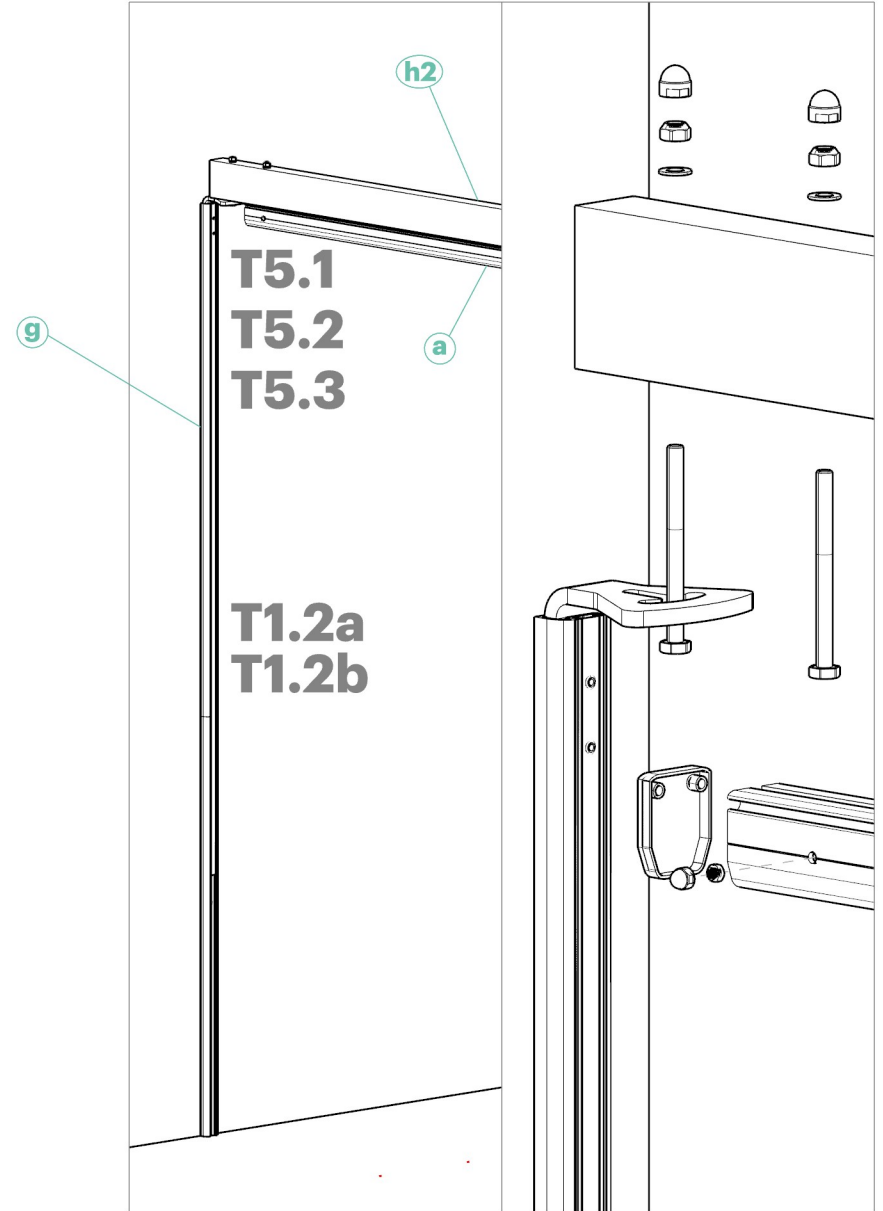
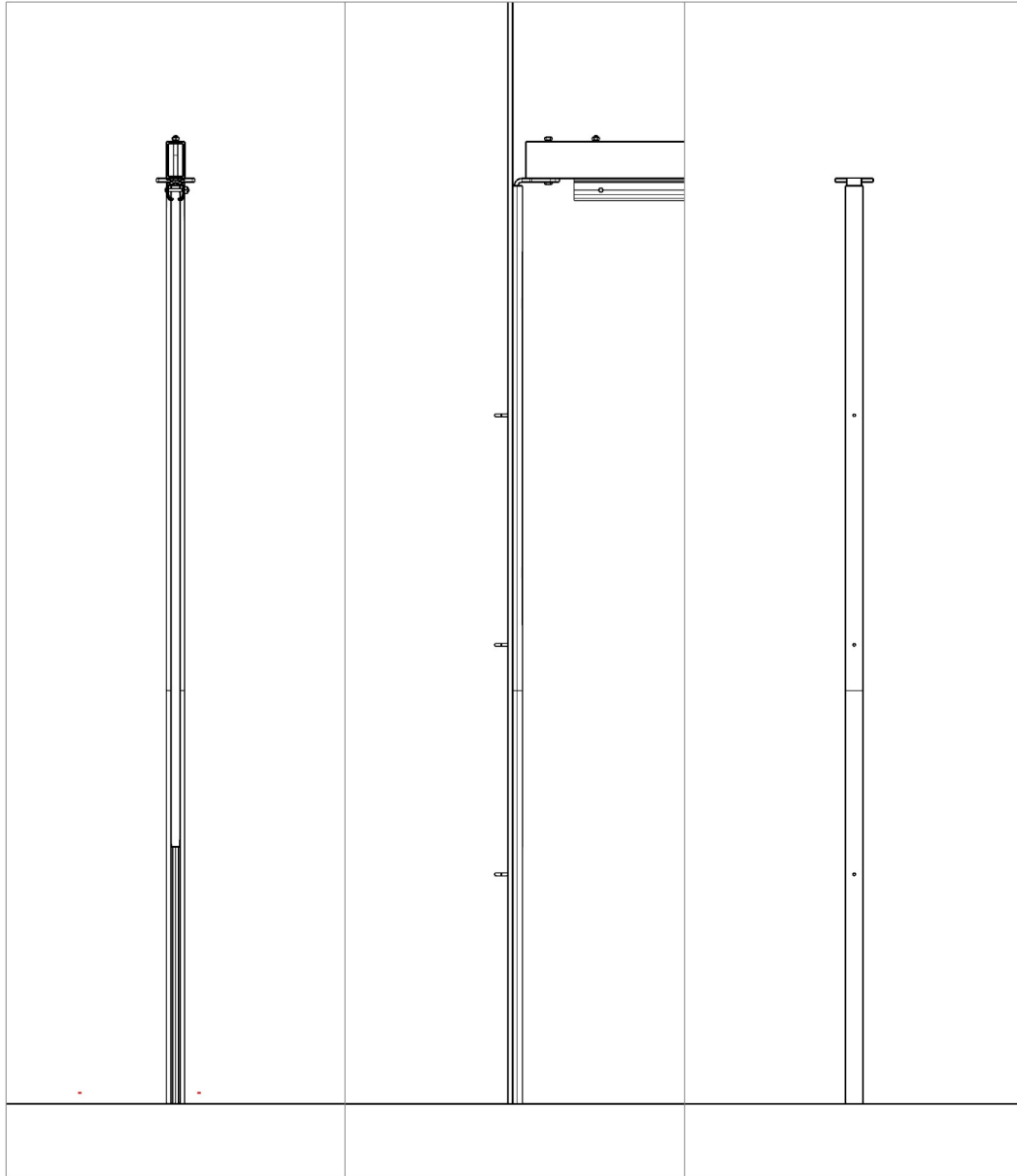


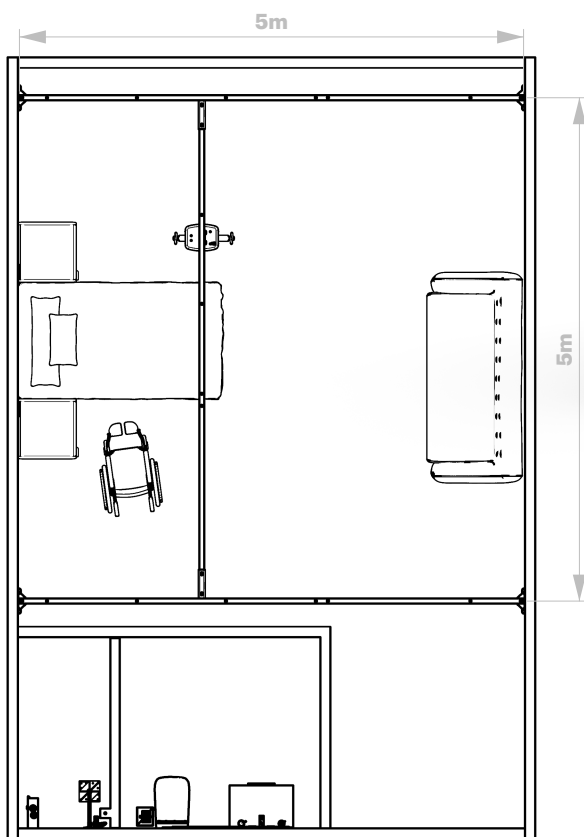










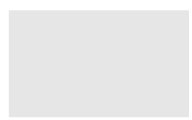
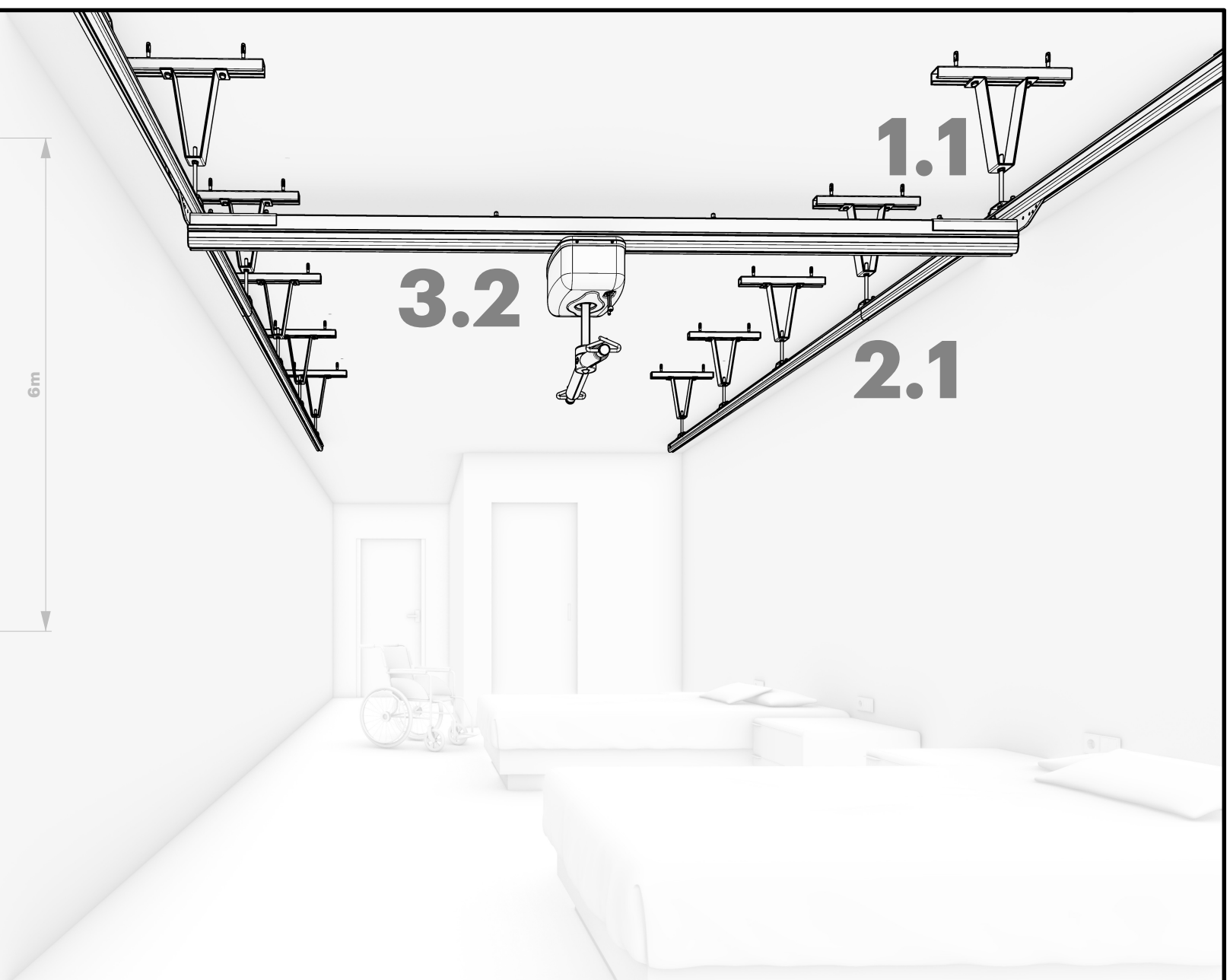
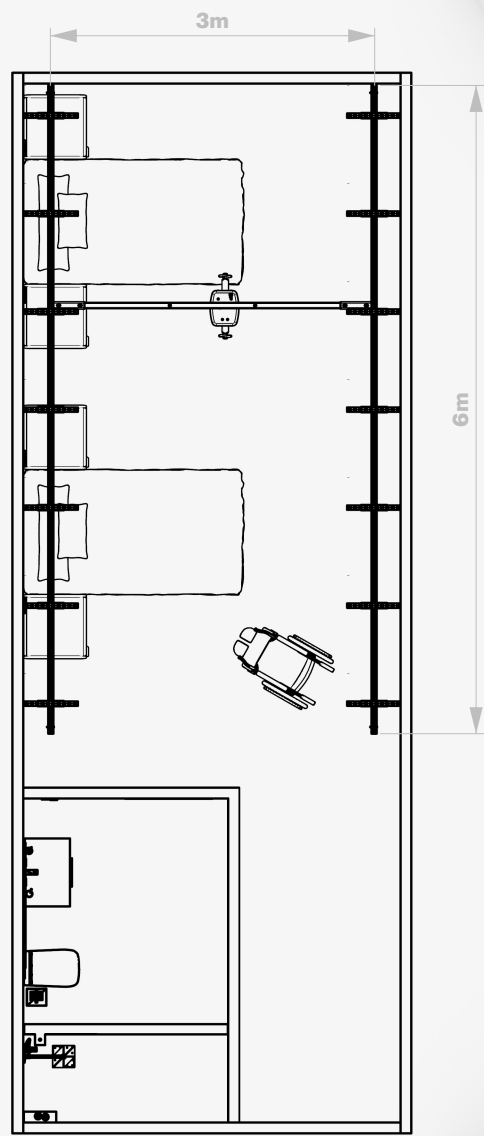


EXEMPLES

H MURAL ET SUR  
POTEAU

**3.1 & 4.1 & 4.5** E: 1/75

 Carima



EXEMPLES

H MURAL ET SUR POTEAU

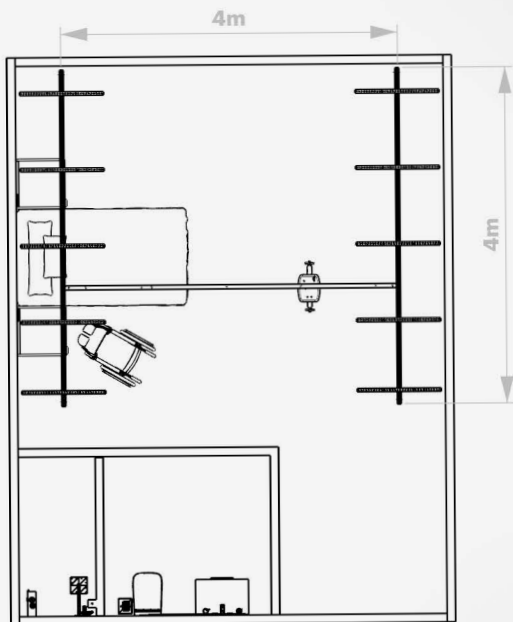
**1.1 & 2.1 & 3.2** E: 1/70



**1.3a**

**3.1**

**2.2**



**H MURALE T SUR  
PO TEAU**

**1.3a & 2.2 & 3.1** E: 1/90

 **Carima**

**EXEMPLES**